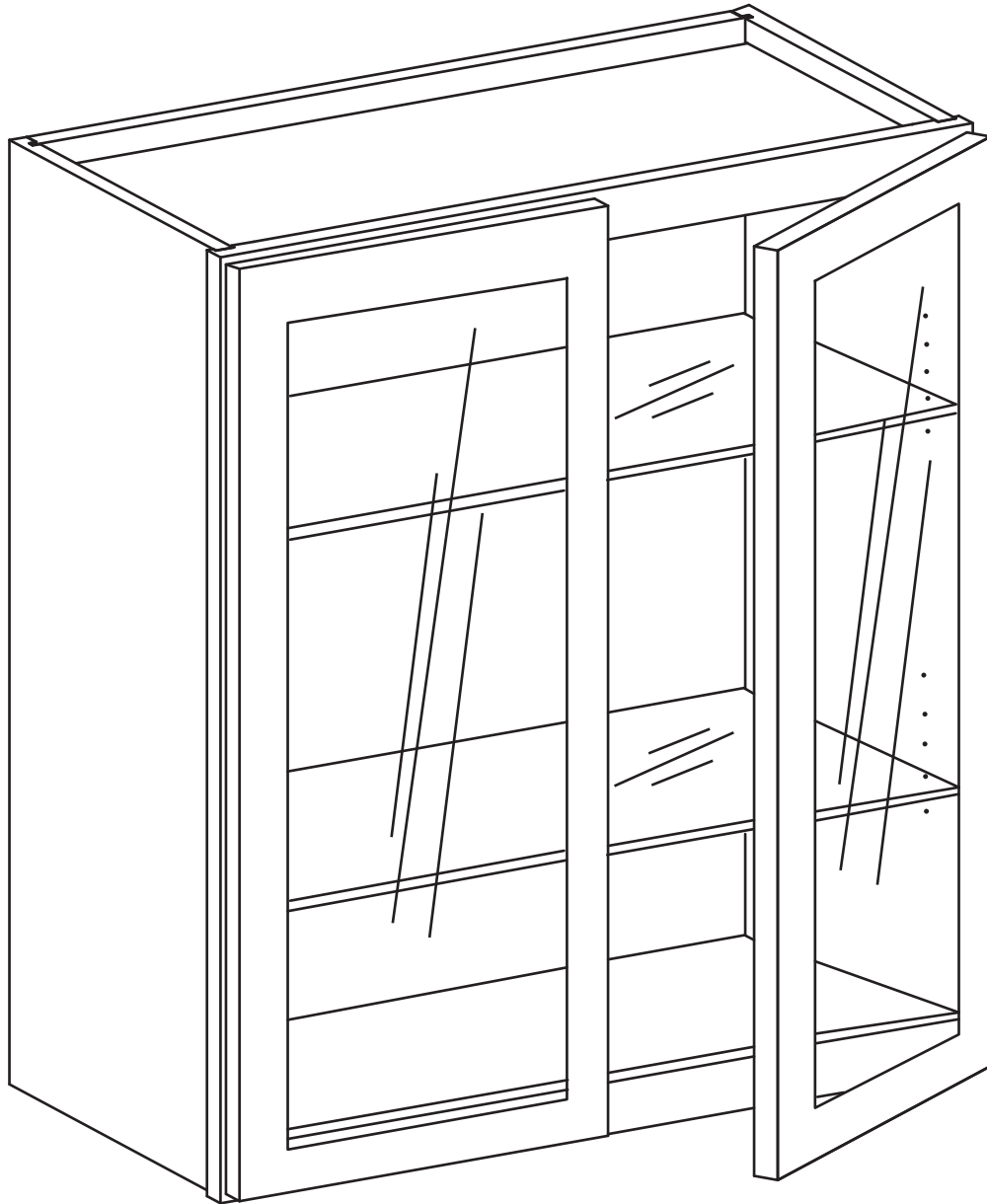


Assembly Instruction

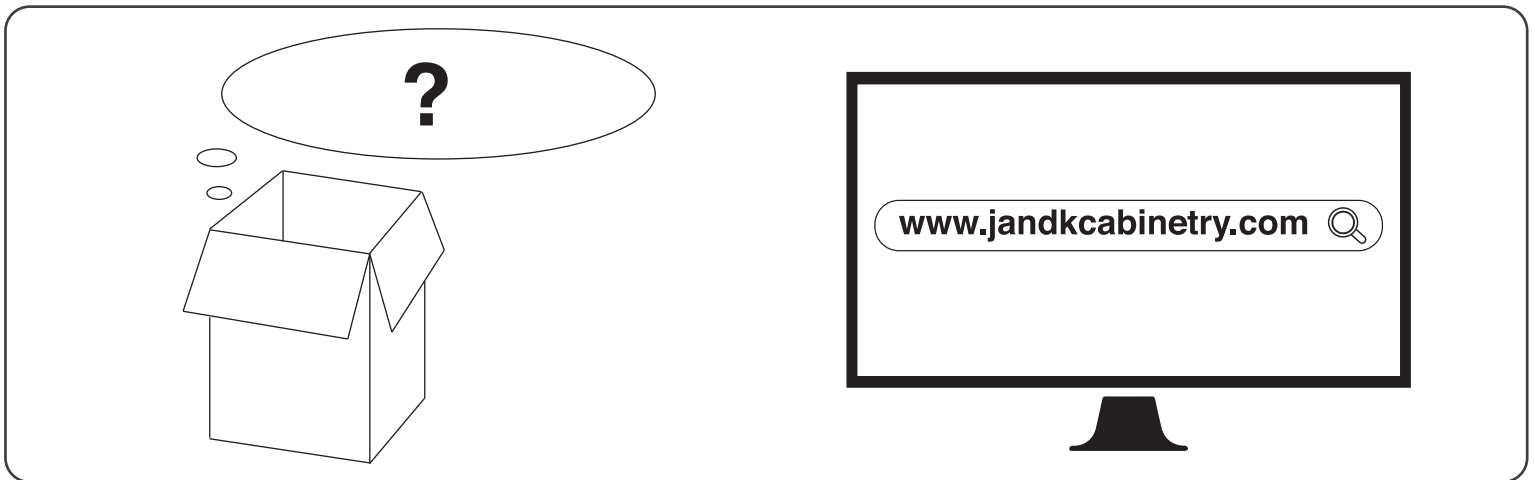
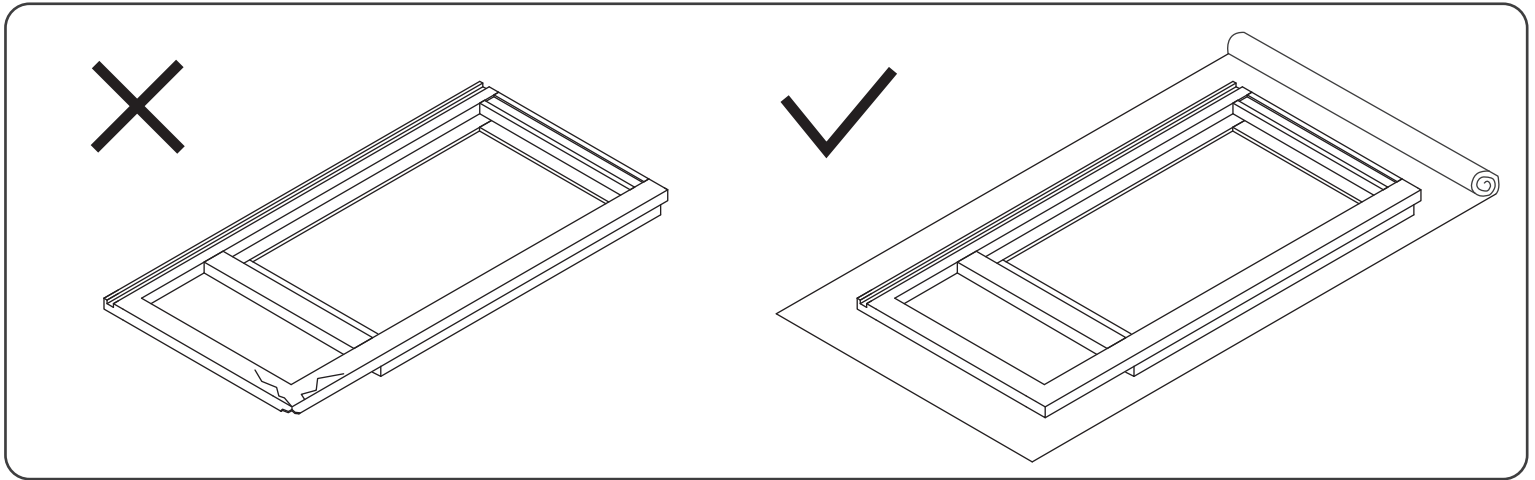
2020 Edition



Wall Cabinet Glass Insert Door

Item Code:

WM2430H, WM2730H, WM3030H, WM3330H, WM3630H
WM2436H, WM2736H, WM3036H, WM3336H, WM3636H



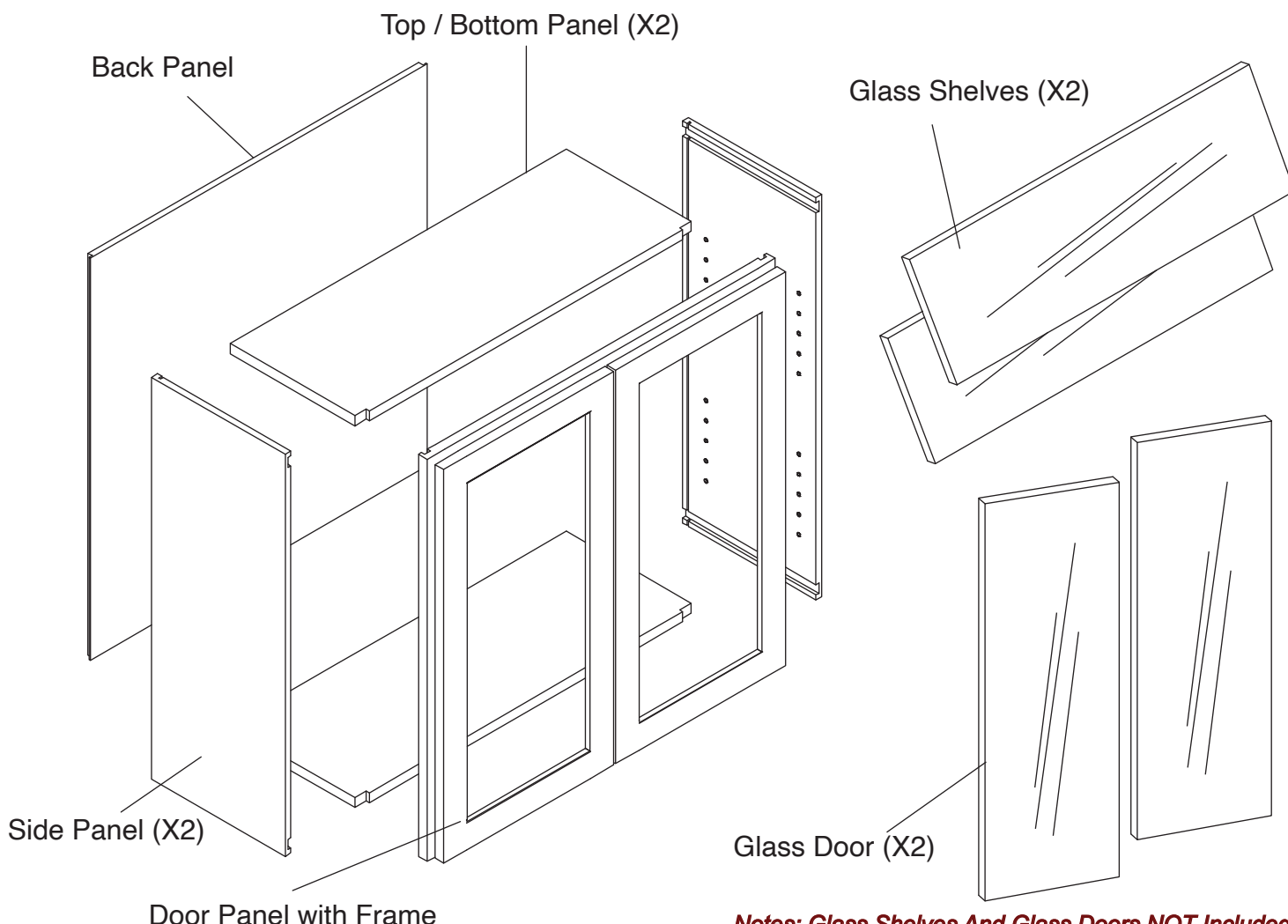
! WARNING:

1. Please be careful when opening the box with boxcutter and/or blade.
2. J&K Cabinetry is not responsible for any injuries and/or damages incurred during cabinet assembly.



? SERVICE:



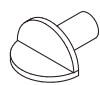
During the installation process, if you encounter any problems, please go to our official website: www.jandkcabinetry.com, check the full version assembly instruction or watch the assembly video online.

Included Items:

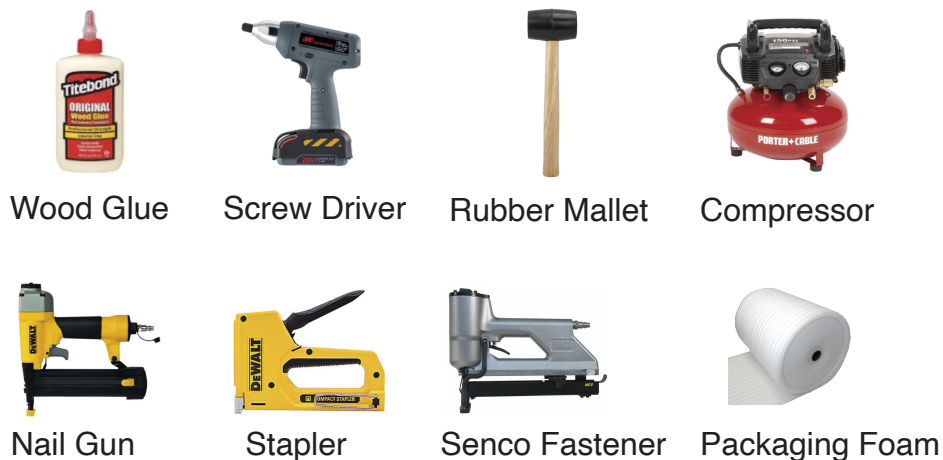


Notes: Glass Shelves And Glass Doors NOT Included

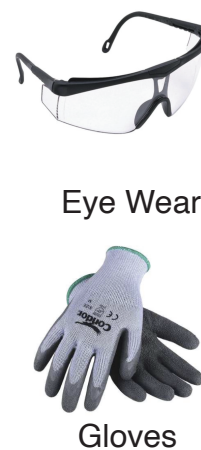
1-3/16" 	
Screws X 8	Door Bumpers X 4

3/5" 		
Screws X 12	Glass Door Retainer Clips X 12	Glass Shelf Pins X 8

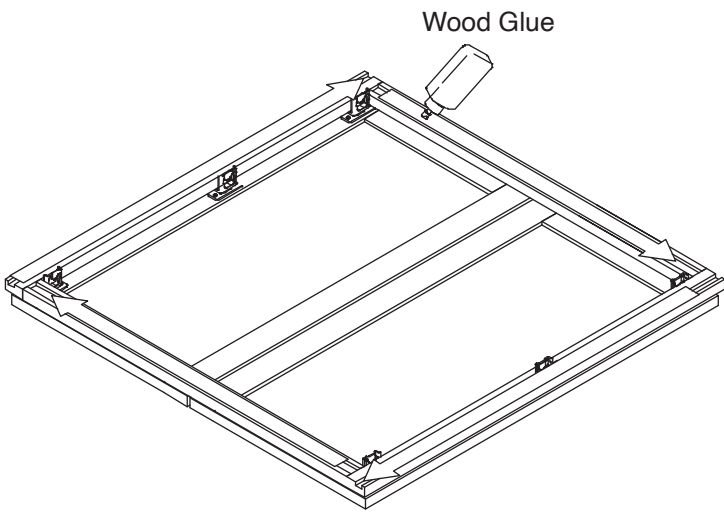
Recommended Tools:



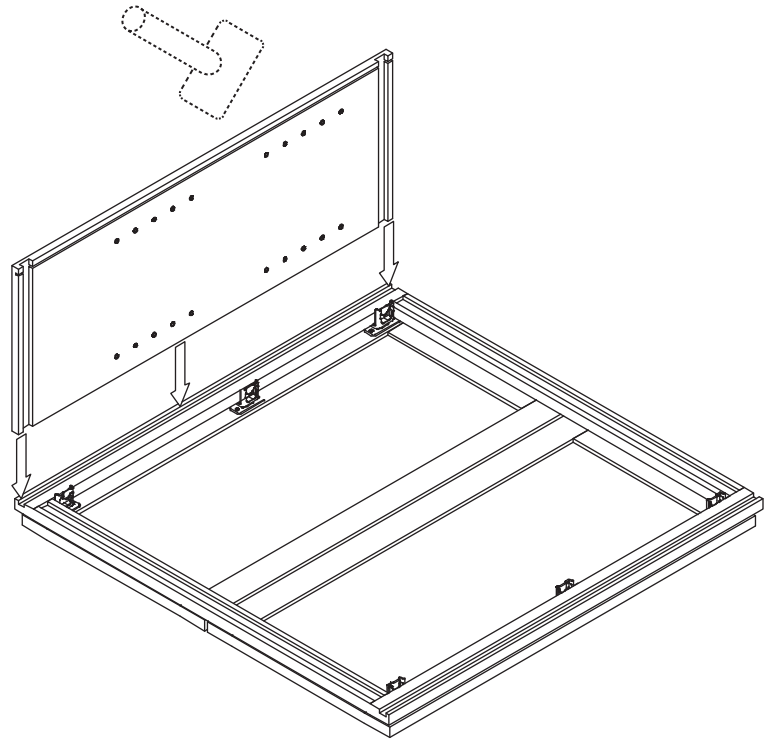
Safety Tools:



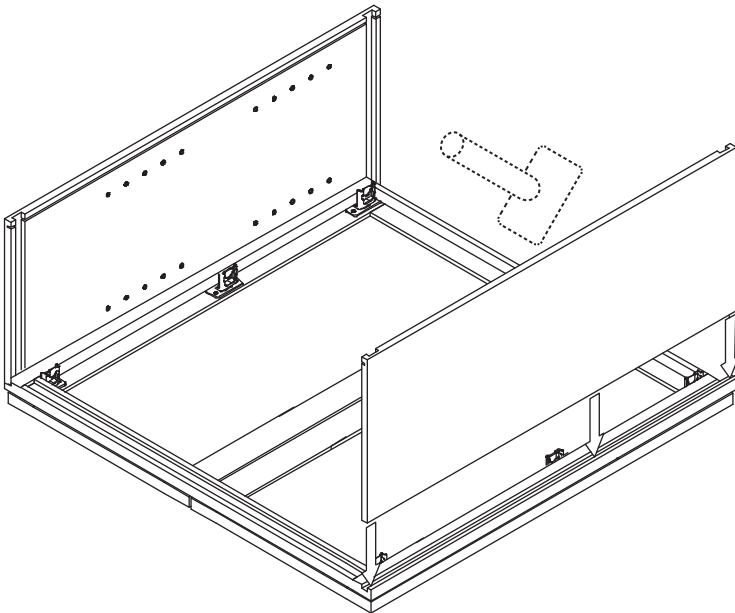
Step 1:



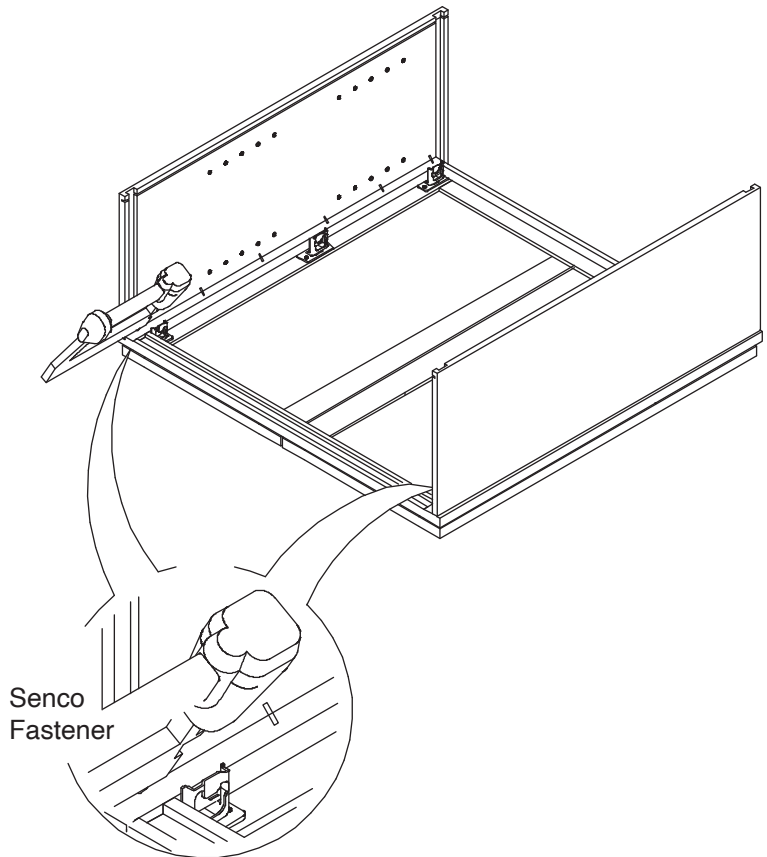
Step 2:



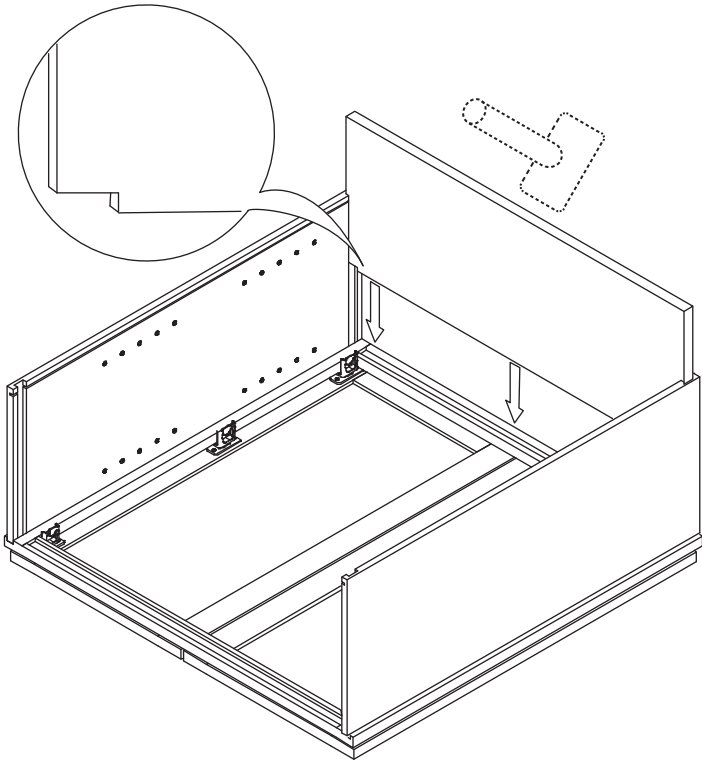
Step 3:



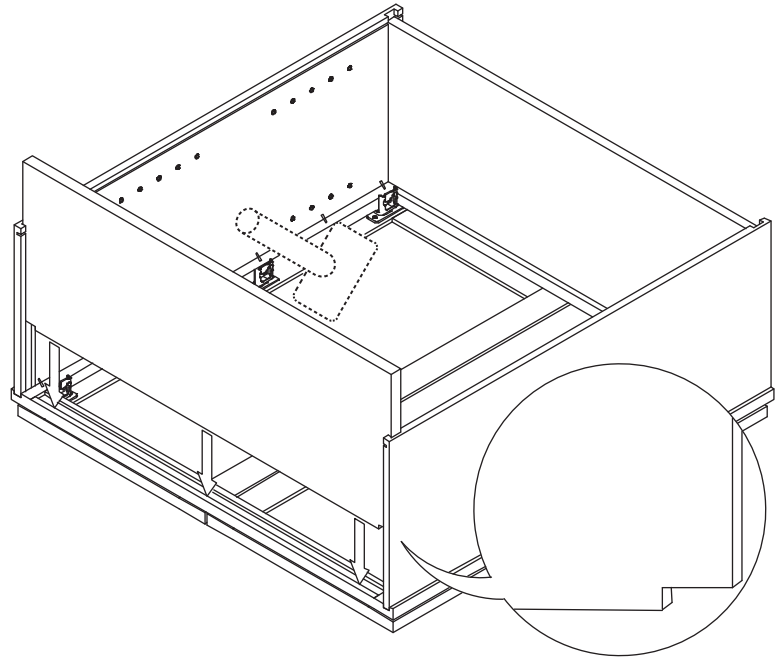
Step 4:



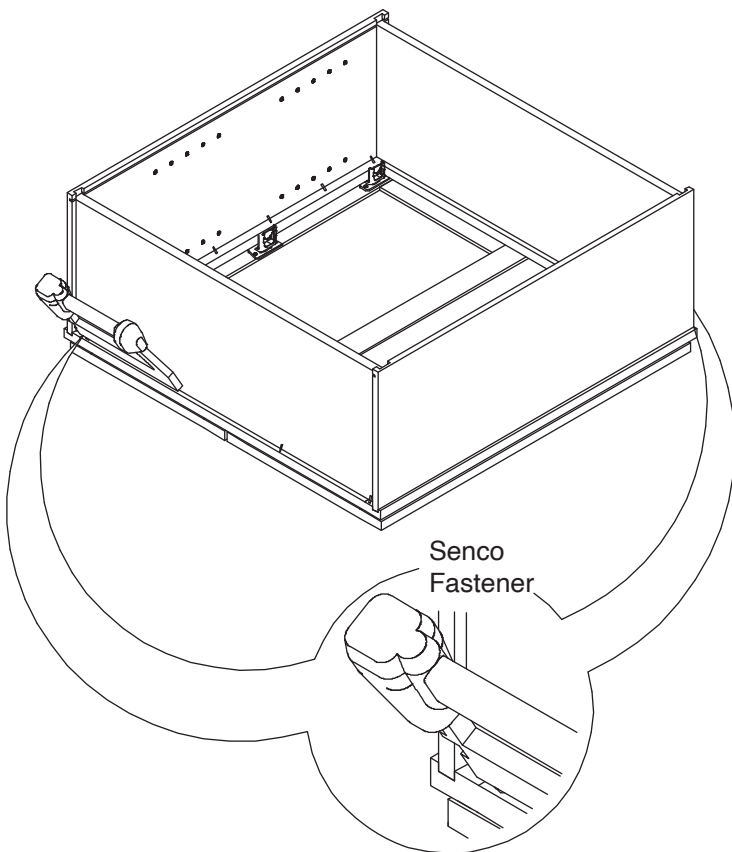
Step 5:



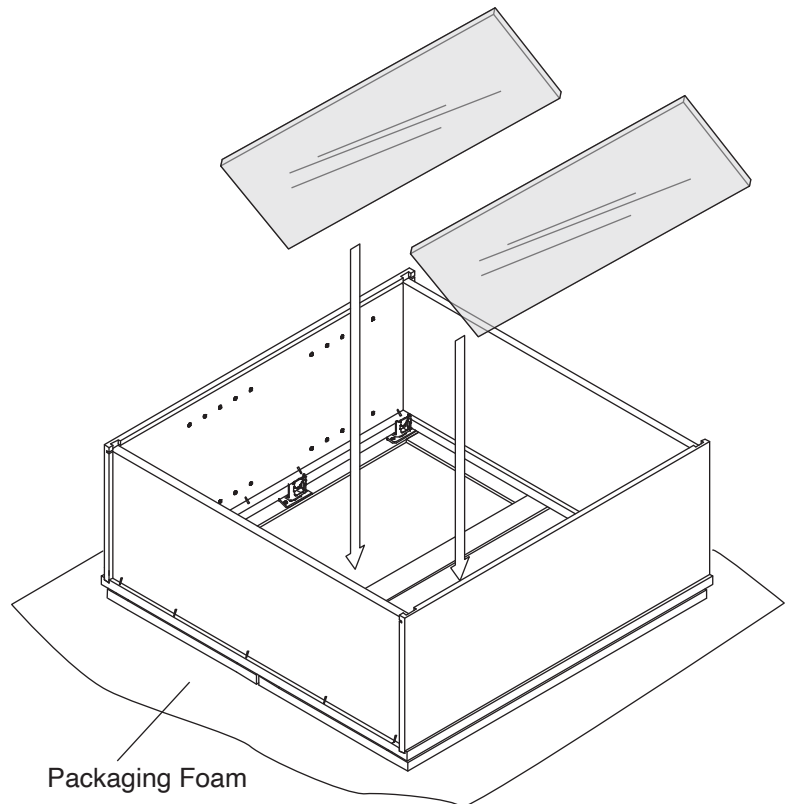
Step 6:



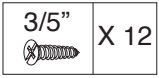
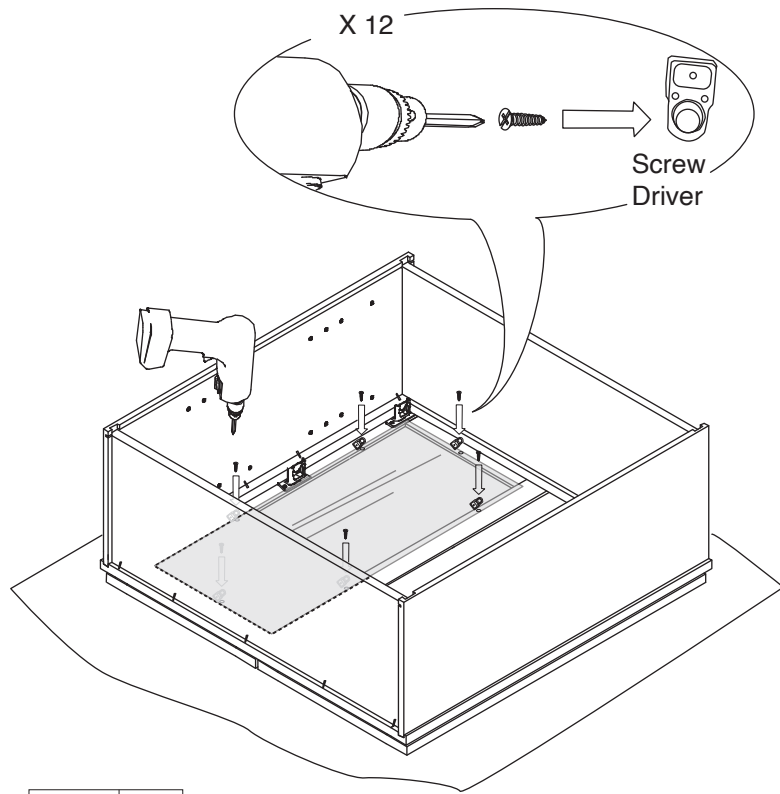
Step 7:



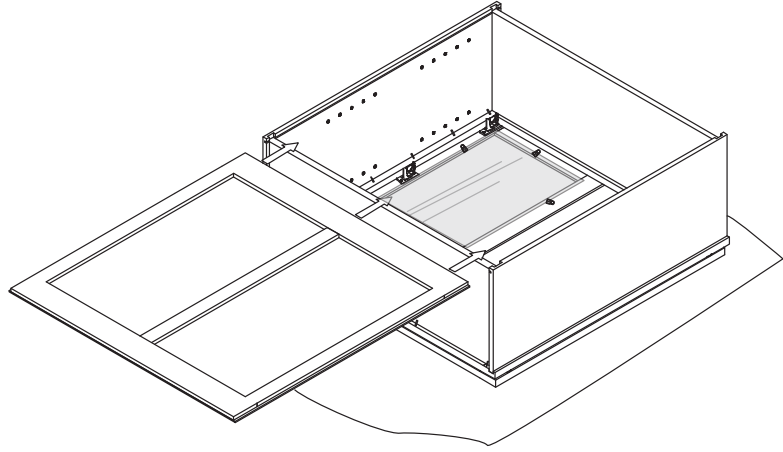
Step 8:



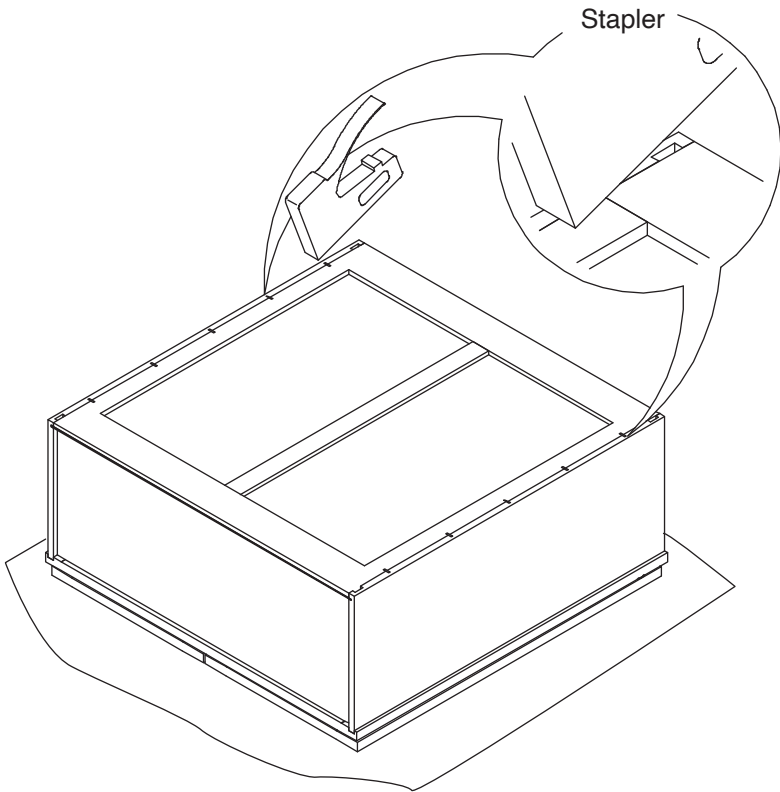
Step 9:



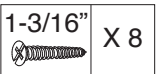
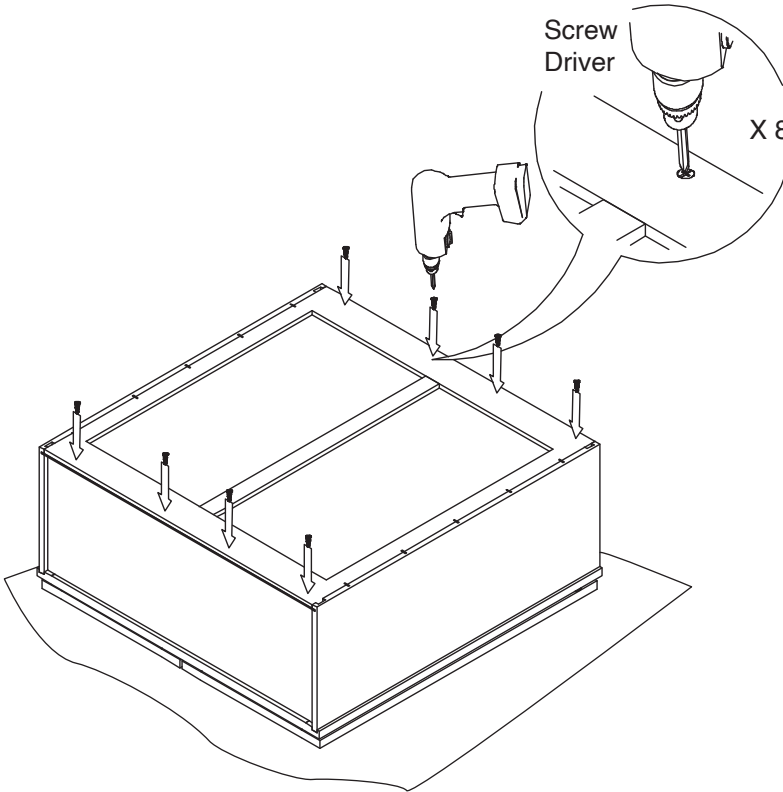
Step 10:



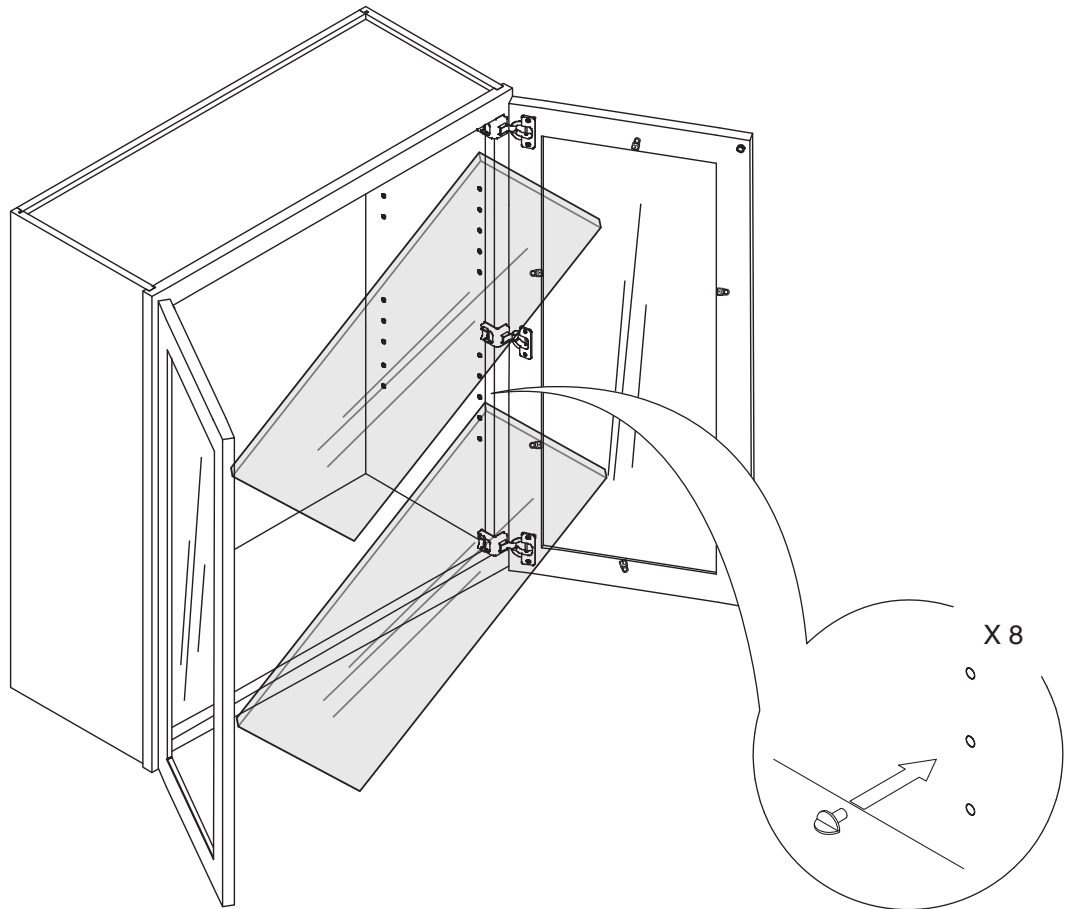
Step 11:



Step 12:



Step 13:



Step 14:

