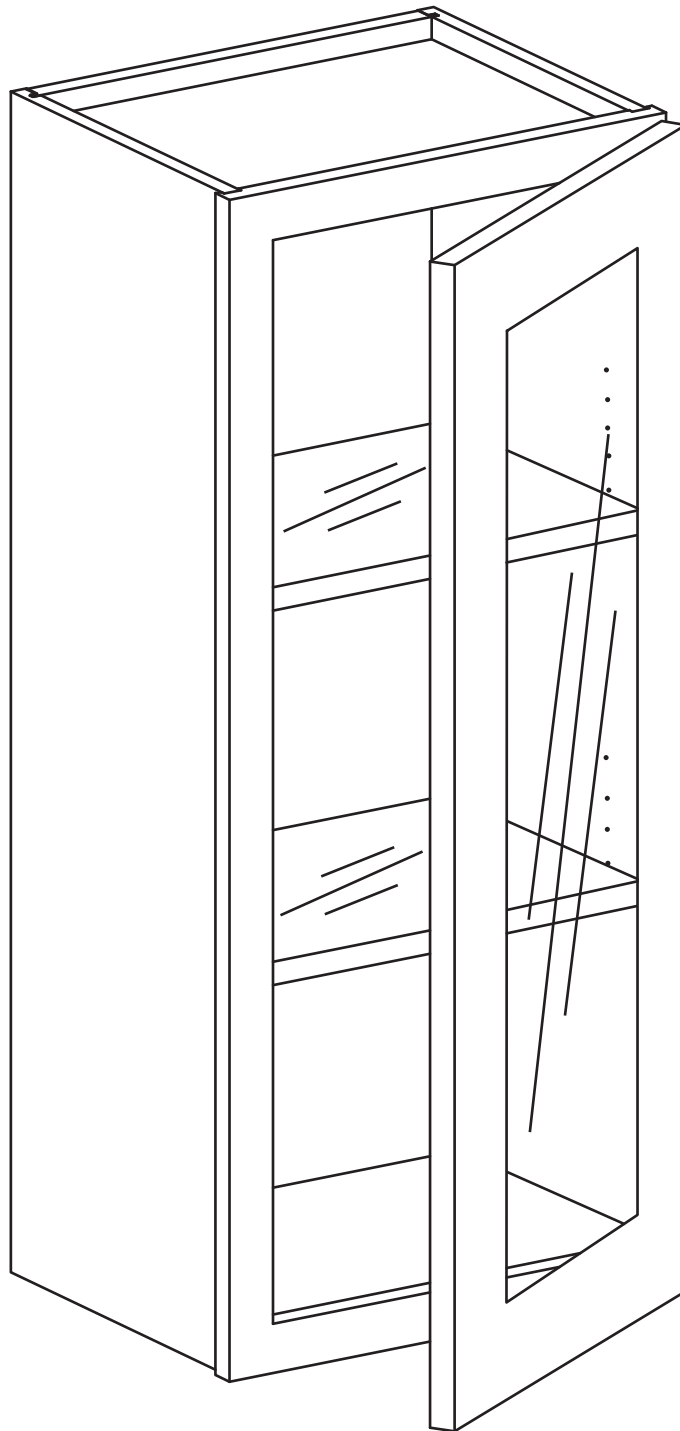


Assembly Instruction

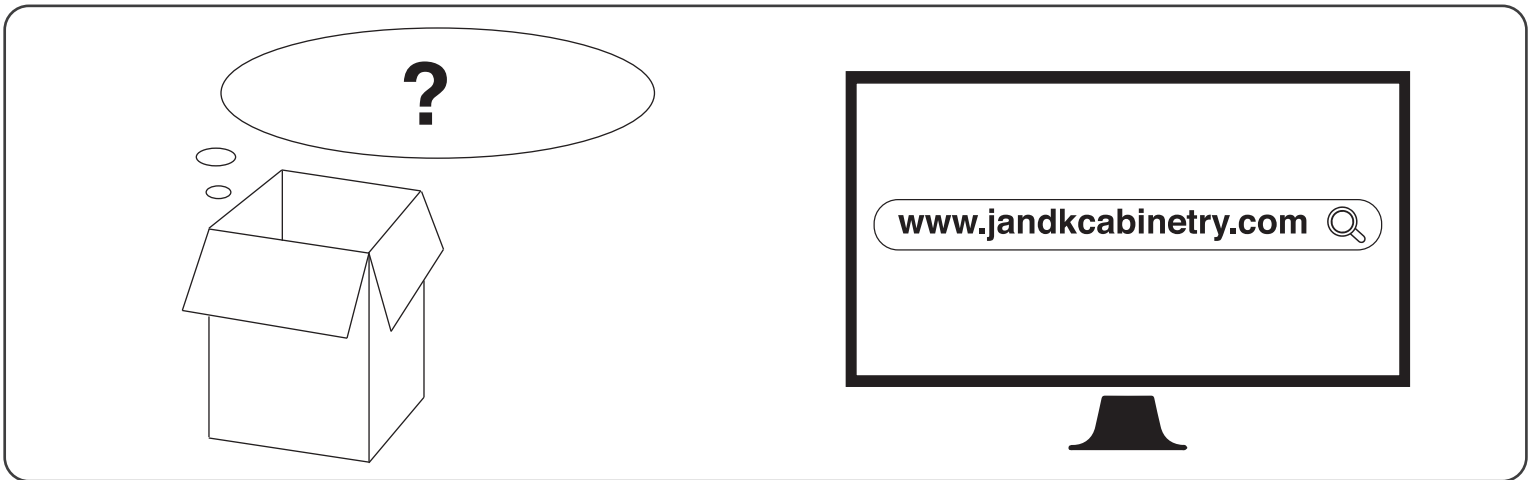
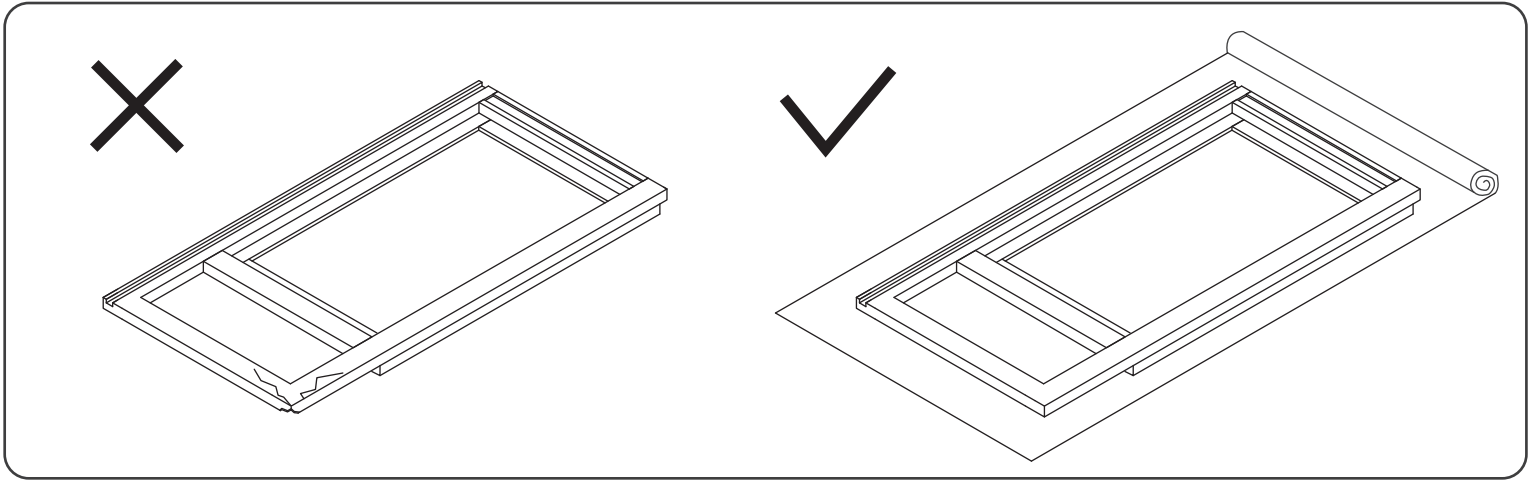
2020 Edition



Wall Cabinet Glass Insert Door

Item Code:

WM1230H, WM1530H, WM1830H, WM2130H
WM1236H, WM1536H, WM1836H, WM2136H



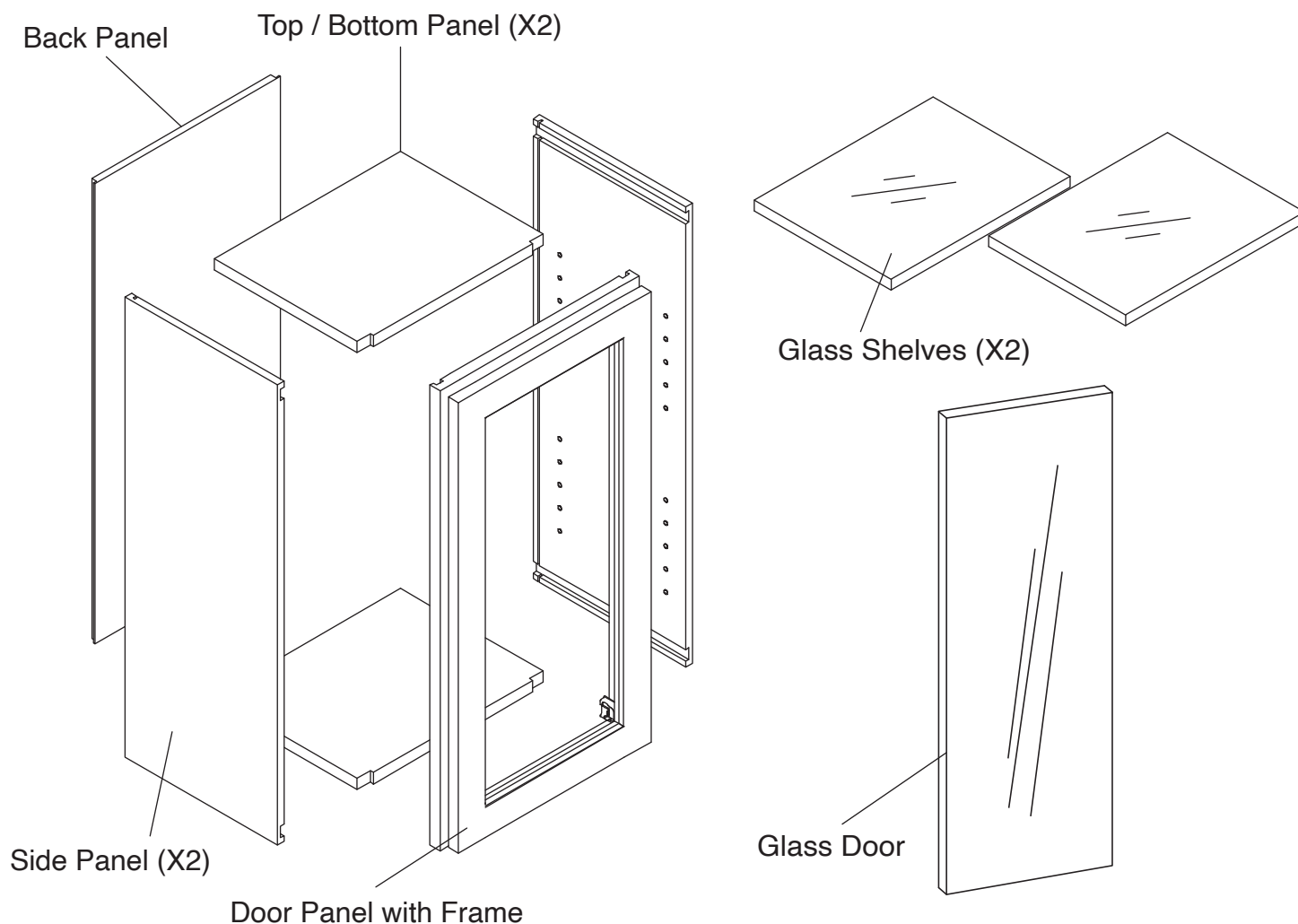
! **WARNING:**

1. Please be careful when opening the box with boxcutter and/or blade.
2. J&K Cabinetry is not responsible for any injuries and/or damages incurred during cabinet assembly.



? **SERVICE:**


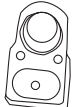

During the installation process, if you encounter any problems, please go to our official website: www.jandkcabinetry.com, check the full version assembly instruction or watch the assembly video online.

Included Items:



Notes: Glass Shelves And Glass Doors NOT Included

1-3/16" 	
Screws X 6	Door Bumpers X 2

3/5" 		
Screws X 6	Glass Door Retainer Clips X 6	Glass Shelf Pins X 8

Recommended Tools:



Wood Glue



Screw Driver



Rubber Mallet



Compressor



Nail Gun



Stapler



Senco Fastener



Packaging Foam

Safety Tools:

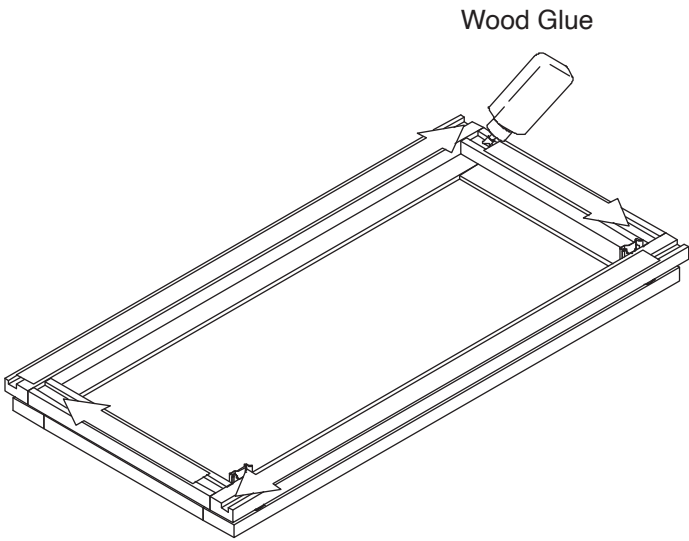


Eye Wear

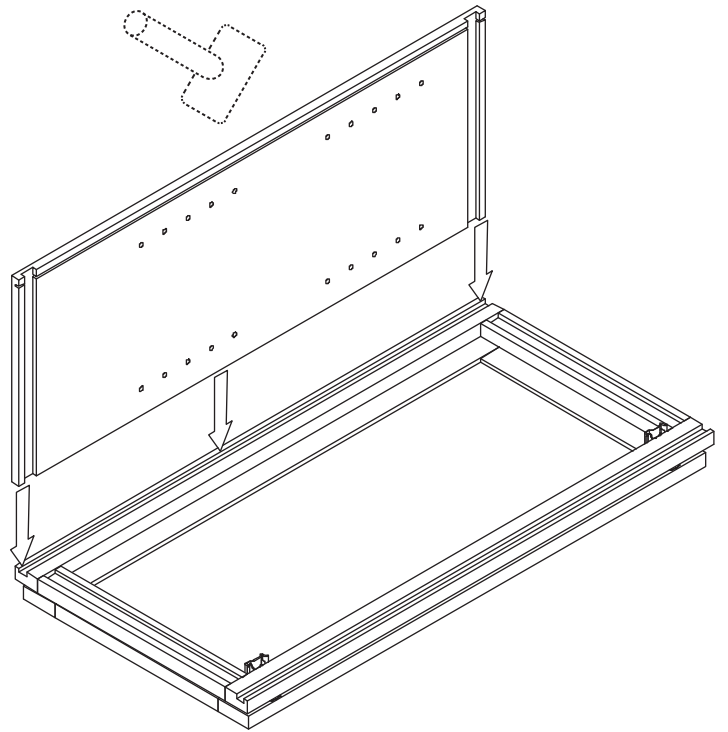


Gloves

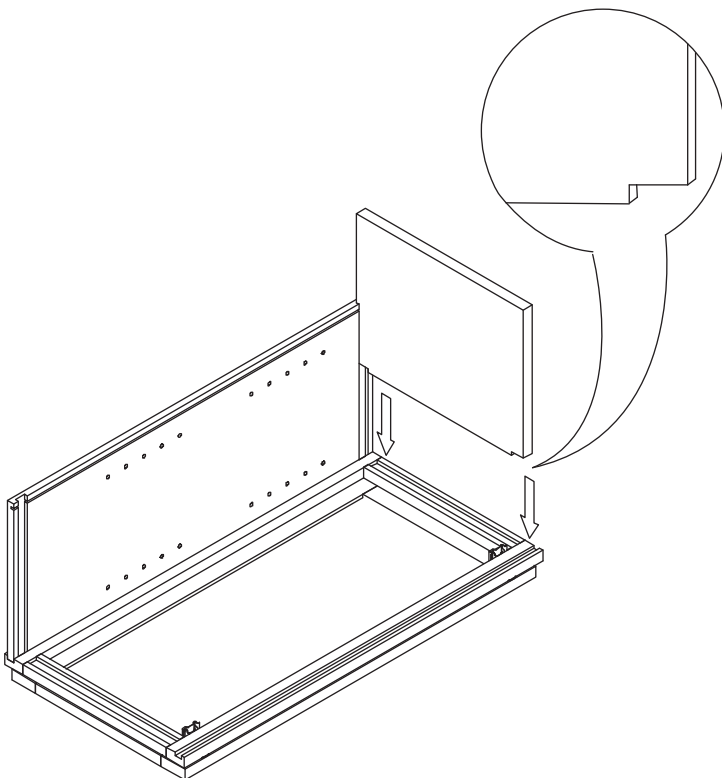
Step 1:



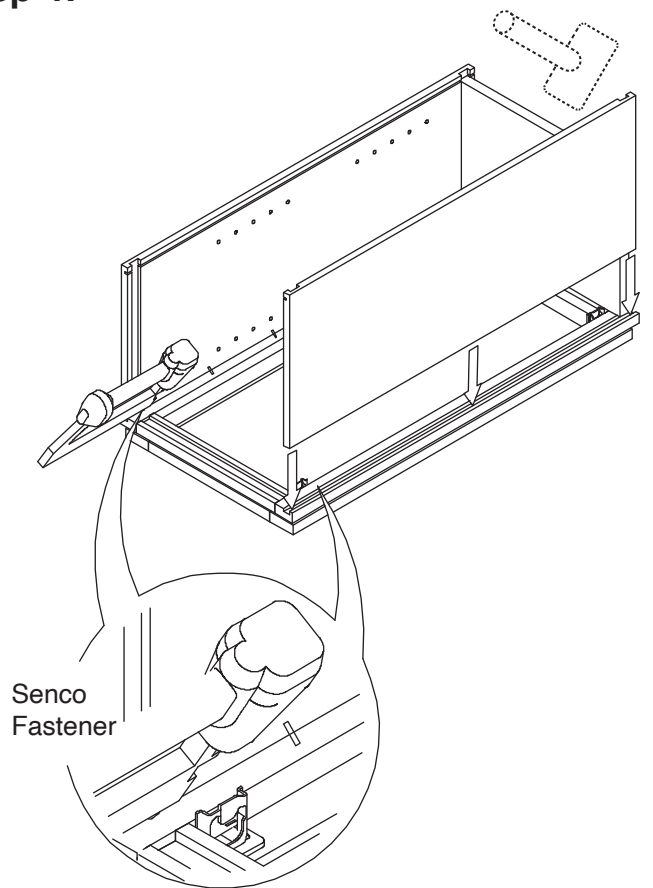
Step 2:



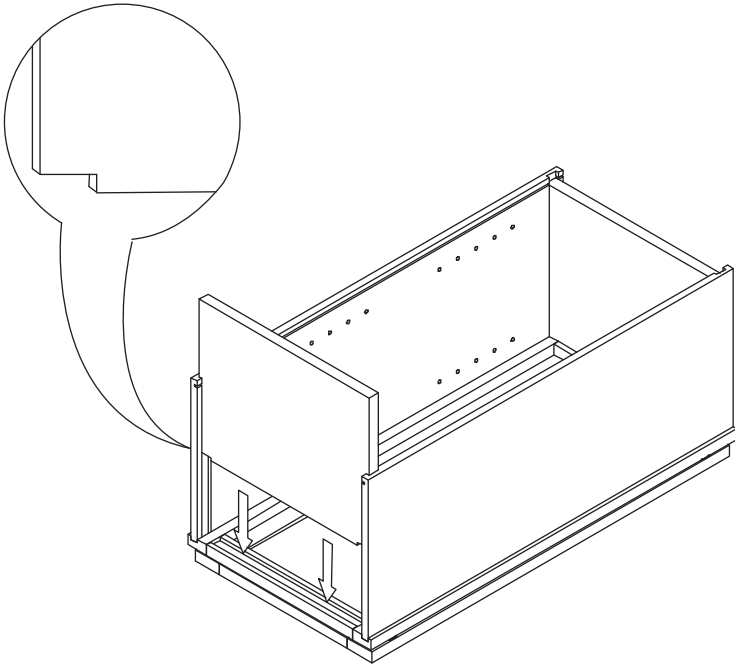
Step 3:



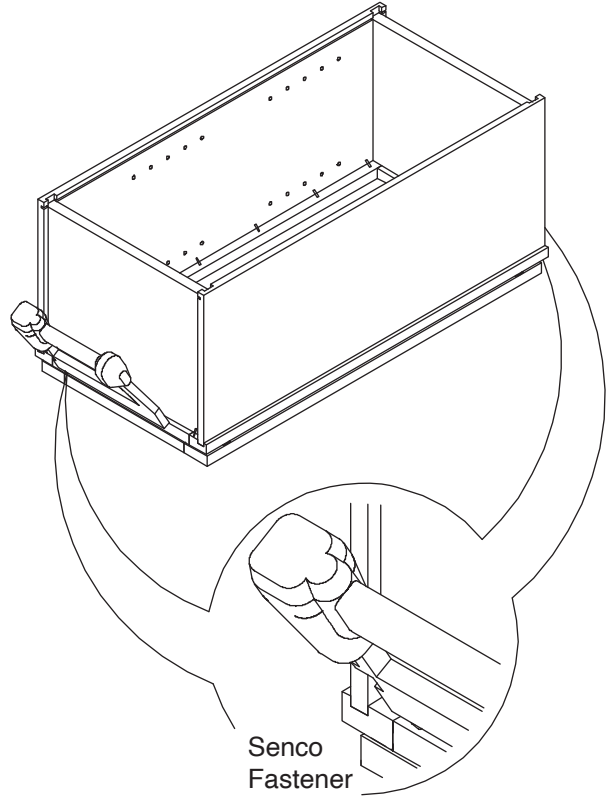
Step 4:



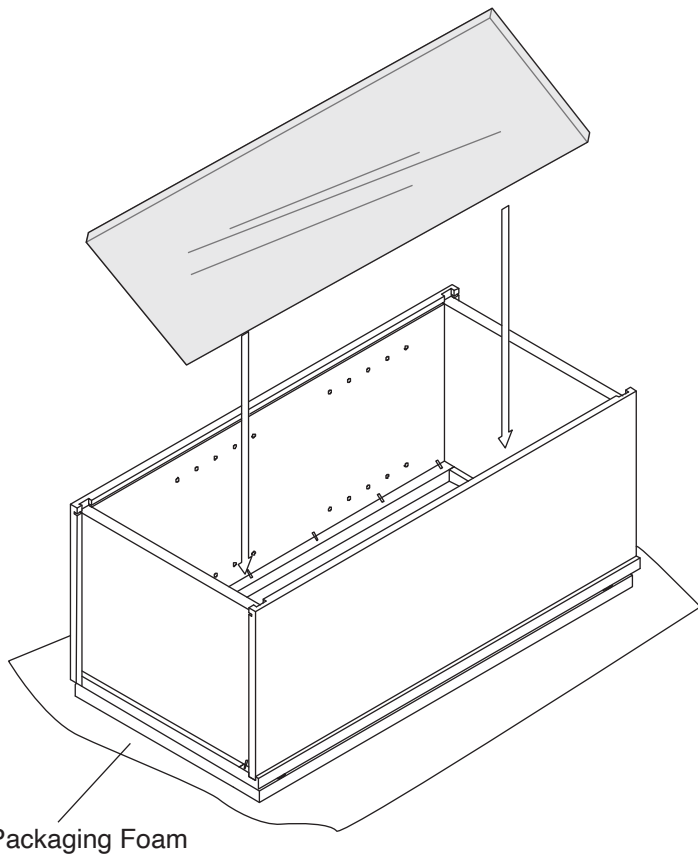
Step 5:



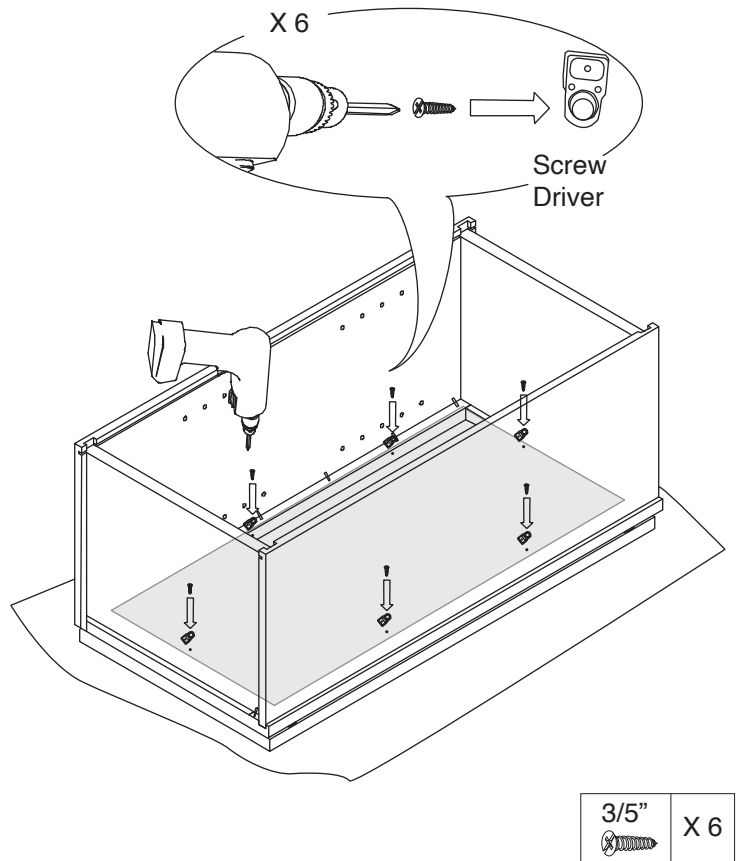
Step 6:



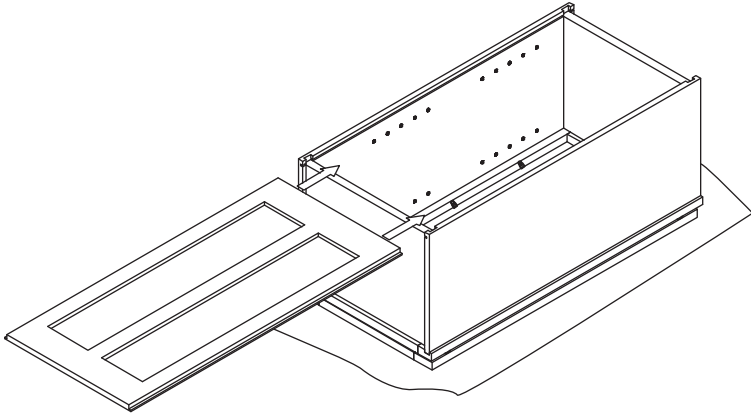
Step 7:



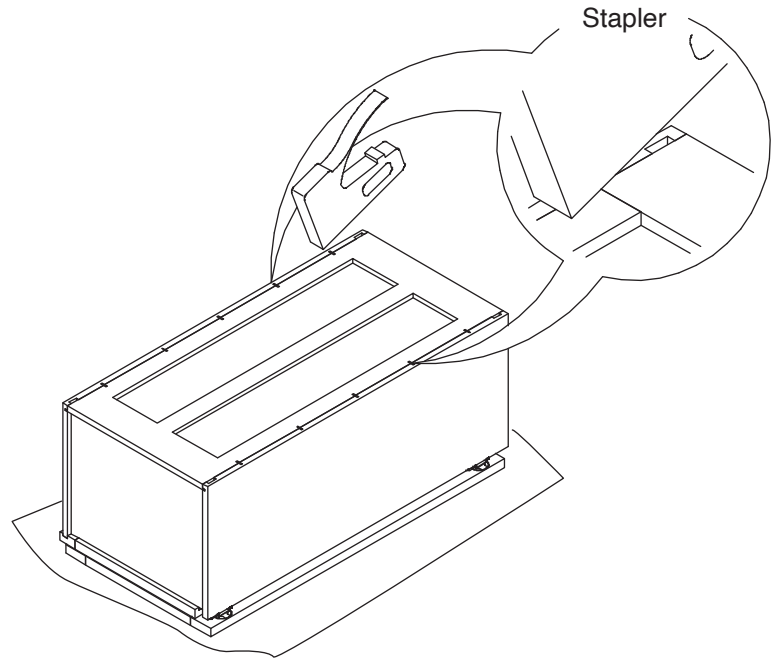
Step 8:



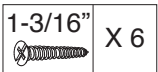
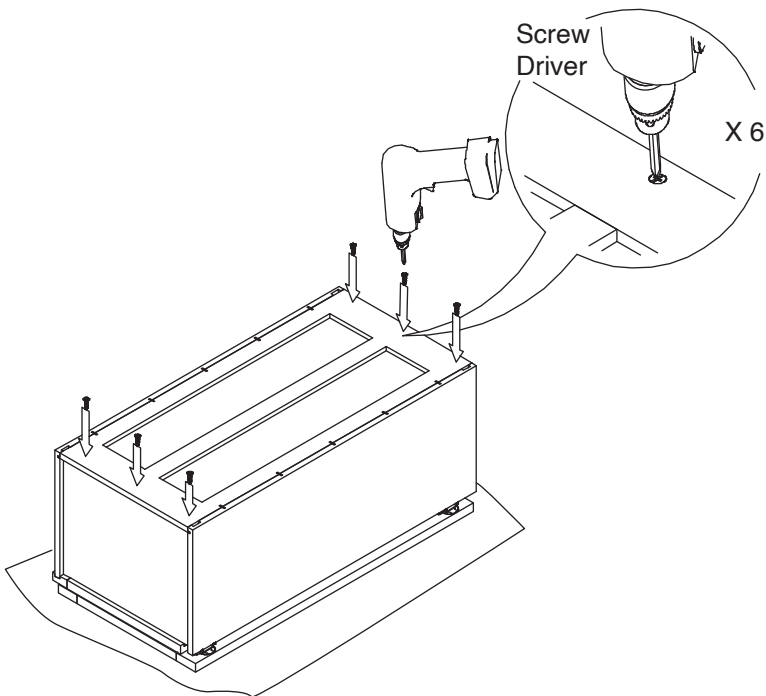
Step 9:



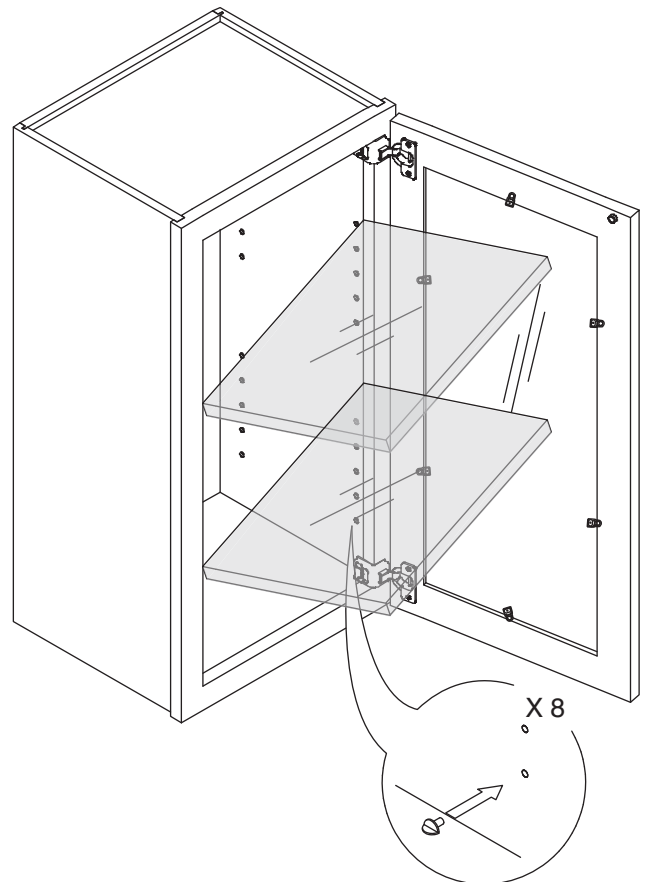
Step 10:



Step 11:



Step 12:



Step 13:

