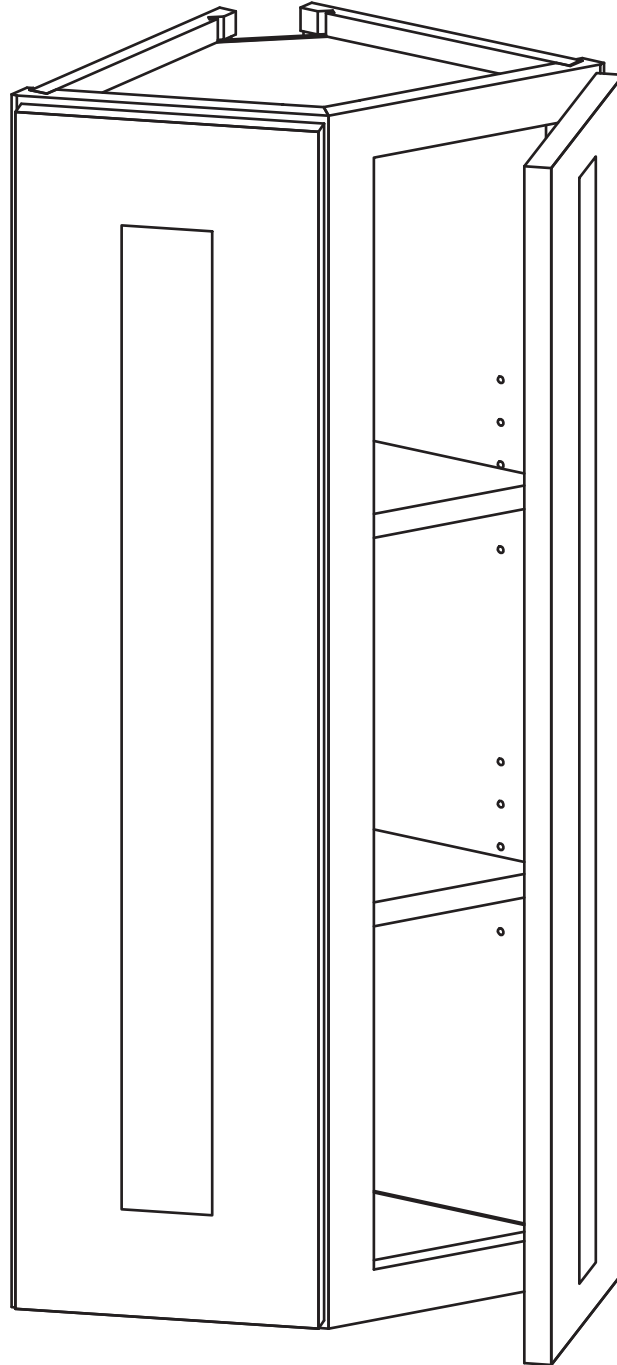


Assembly Instruction

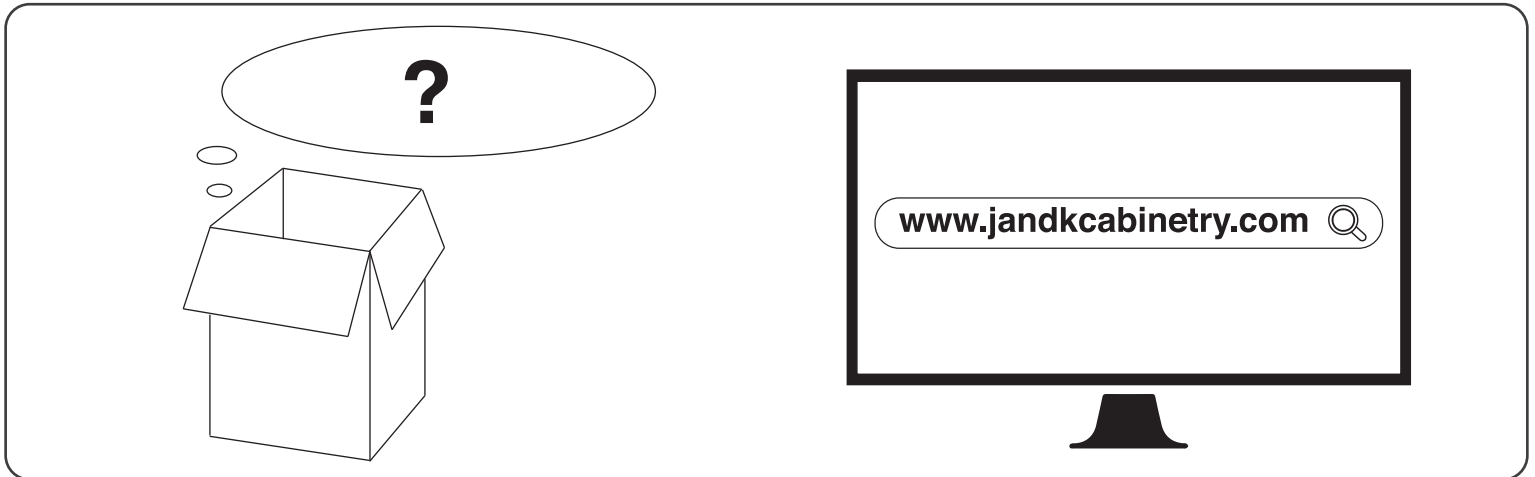
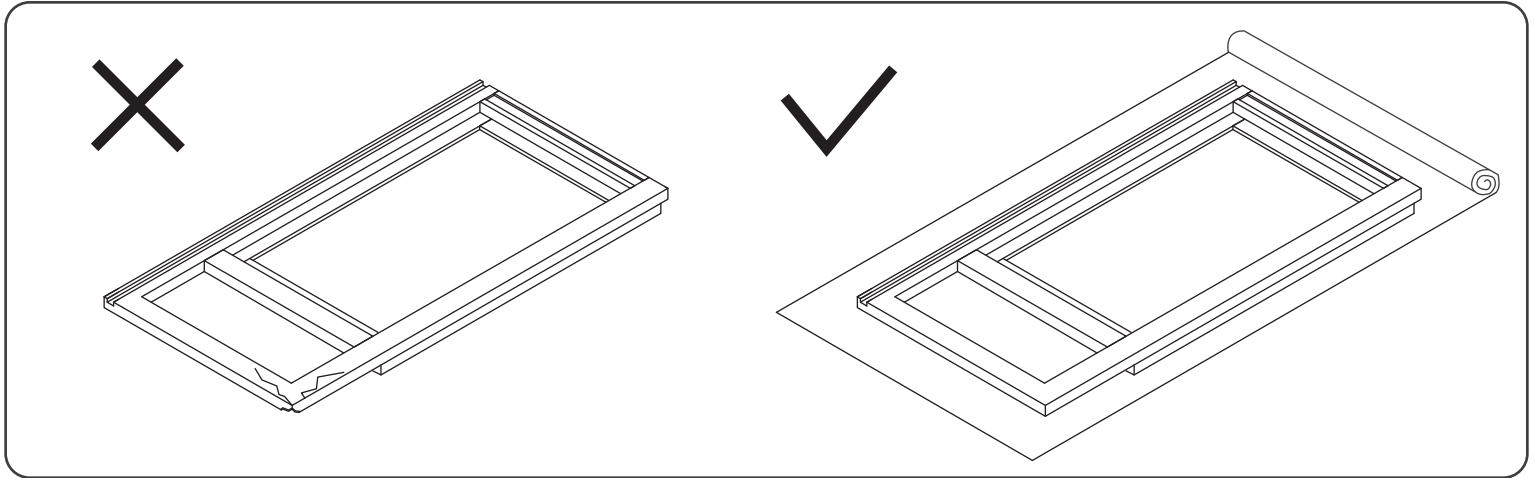
2020 Edition



Wall End Corner Cabinet

Item Code:

WEC1230, WEC1236, WEC1242



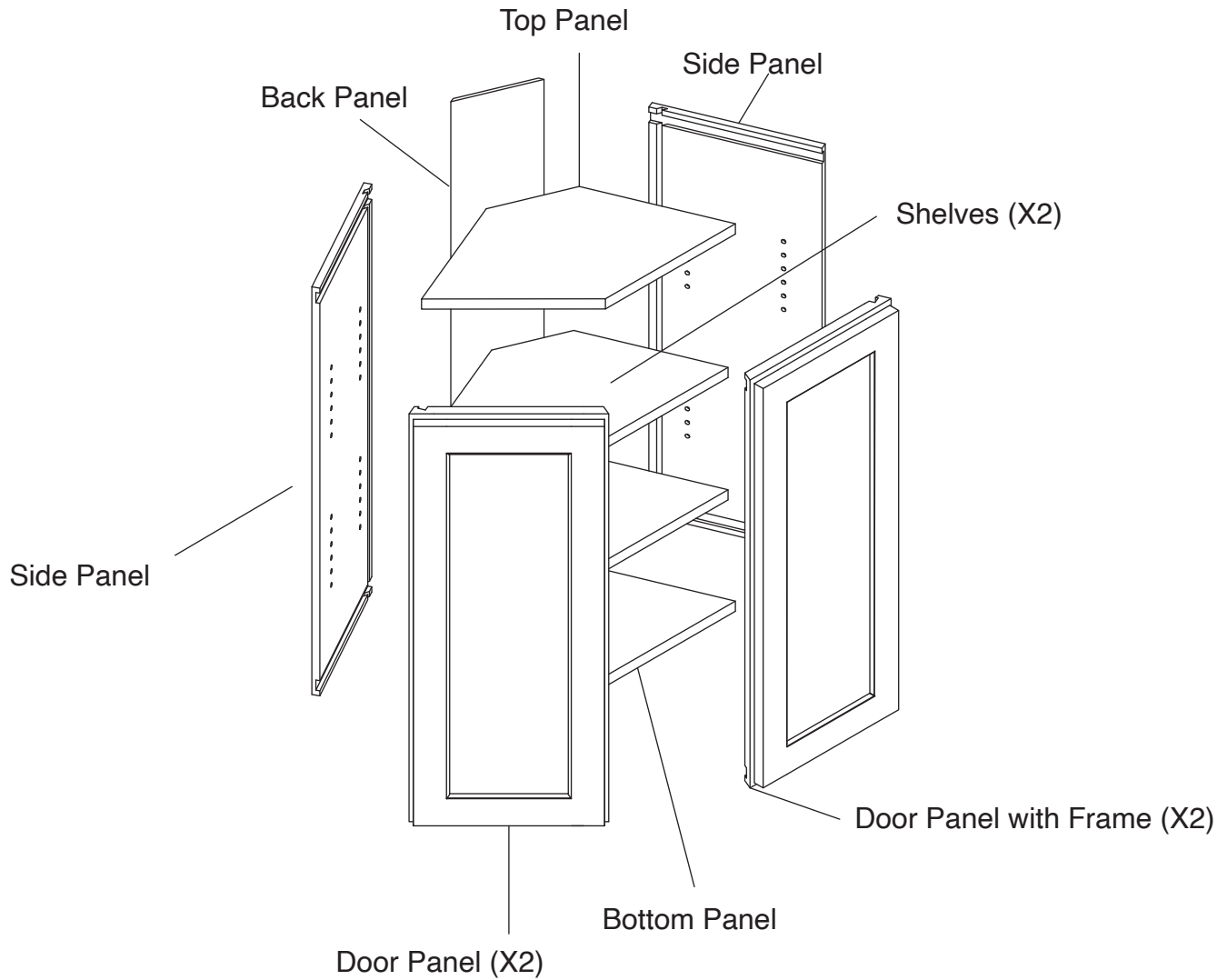
! WARNING:

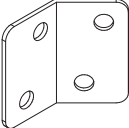



1. Please be careful when opening the box with boxcutter and/or blade.
2. J&K Cabinetry is not responsible for any injuries and/or damages incurred during cabinet assembly.

? SERVICE:

During the installation process, if you encounter any problems, please go to our official website: www.jandkcabinetry.com, check the full version assembly instruction or watch the assembly video online.

Included Items:



	7/16" 		
135° Brackets X 3	Screws X 12	Door Bumpers X 4	Shelf Pins X 12

Recommended Tools:



Wood Glue



Screw Driver



Rubber Mallet



Compressor



Nail Gun



Stapler



Senco Fastener

Safety Tools:

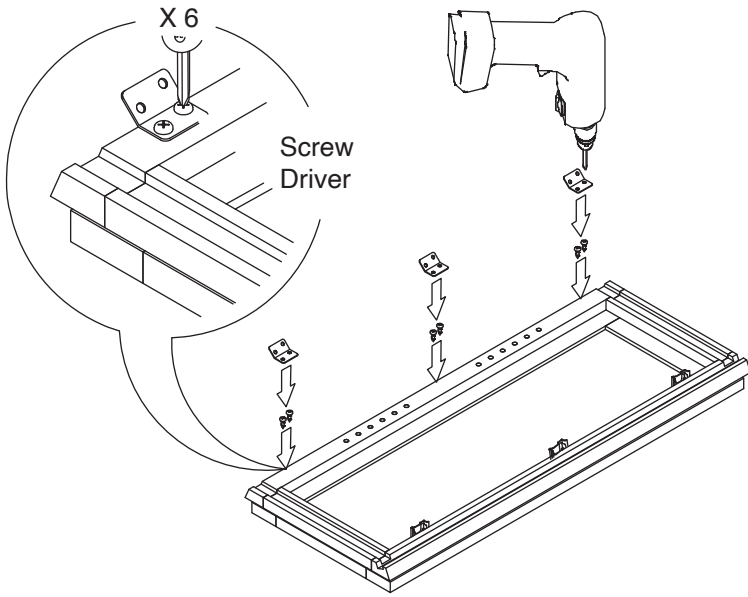


Eye Wear



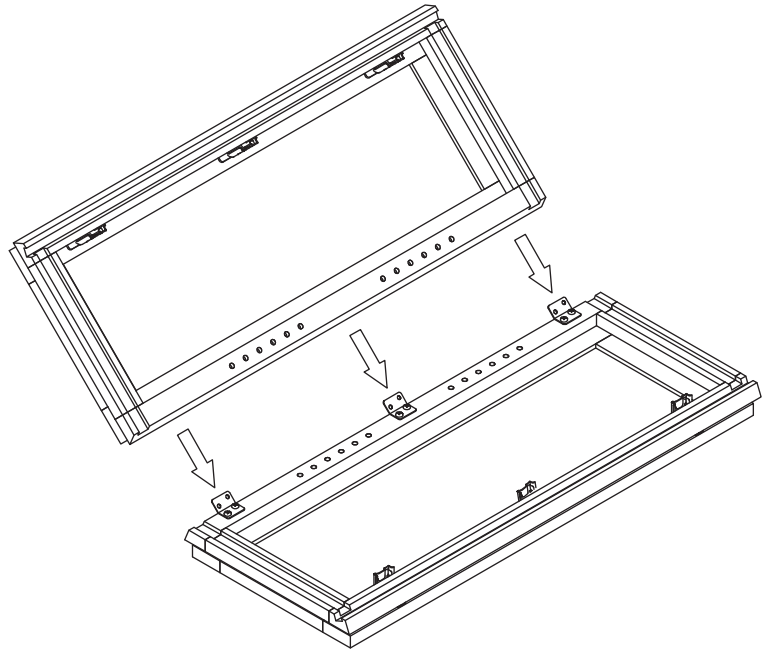
Gloves

Step 1:

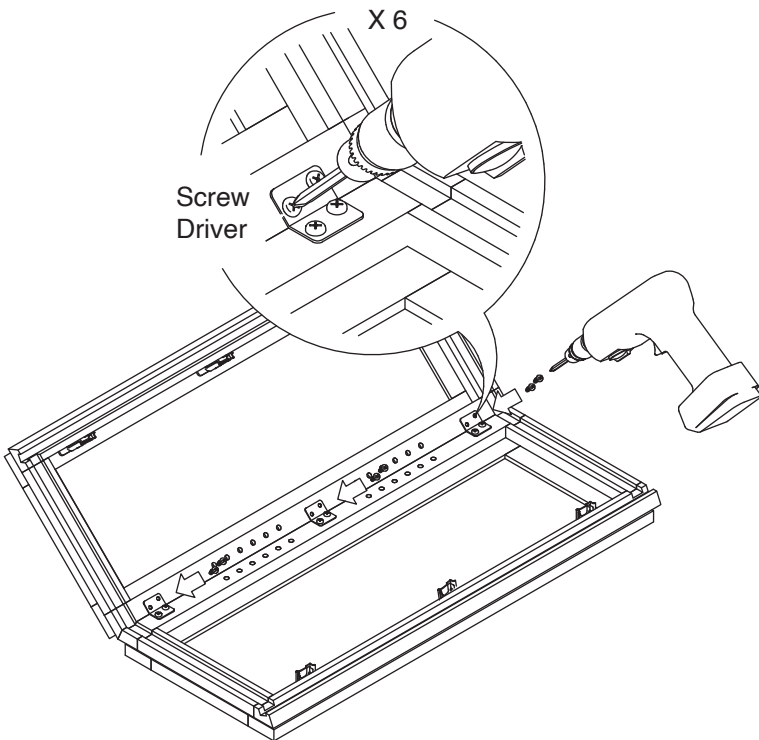


7/16" X 6

Step 2:

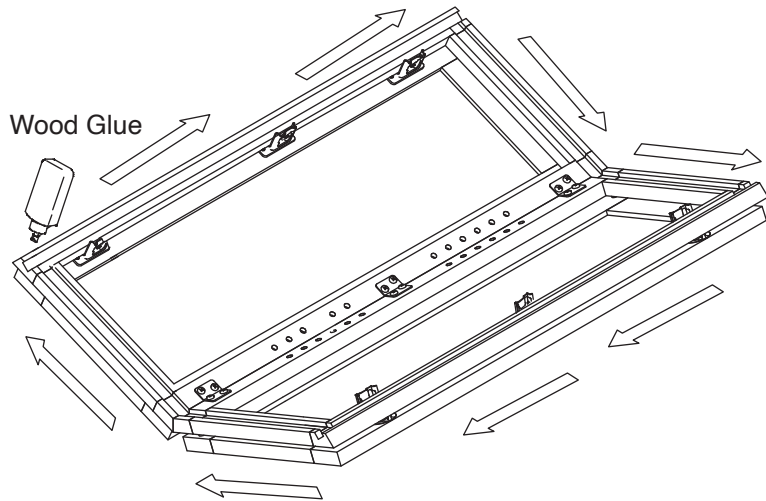


Step 3:

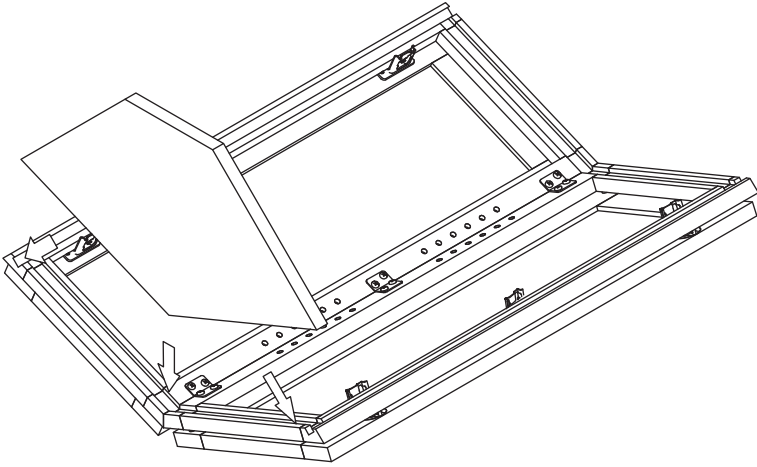


7/16" X 6

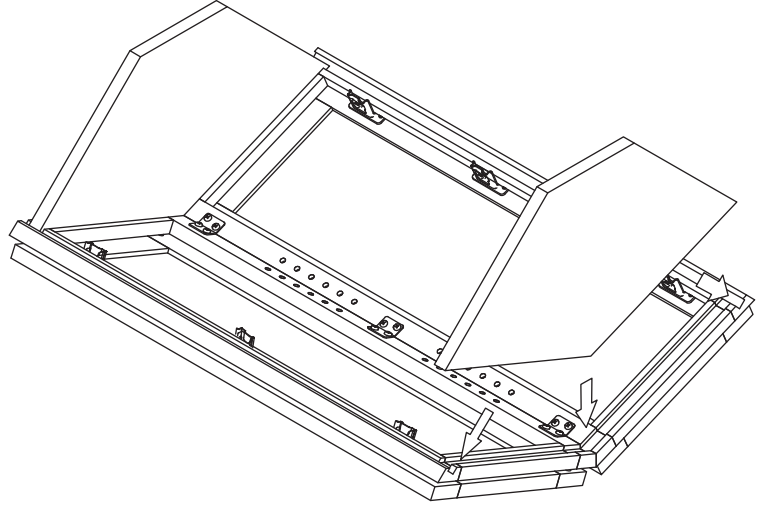
Step 4:



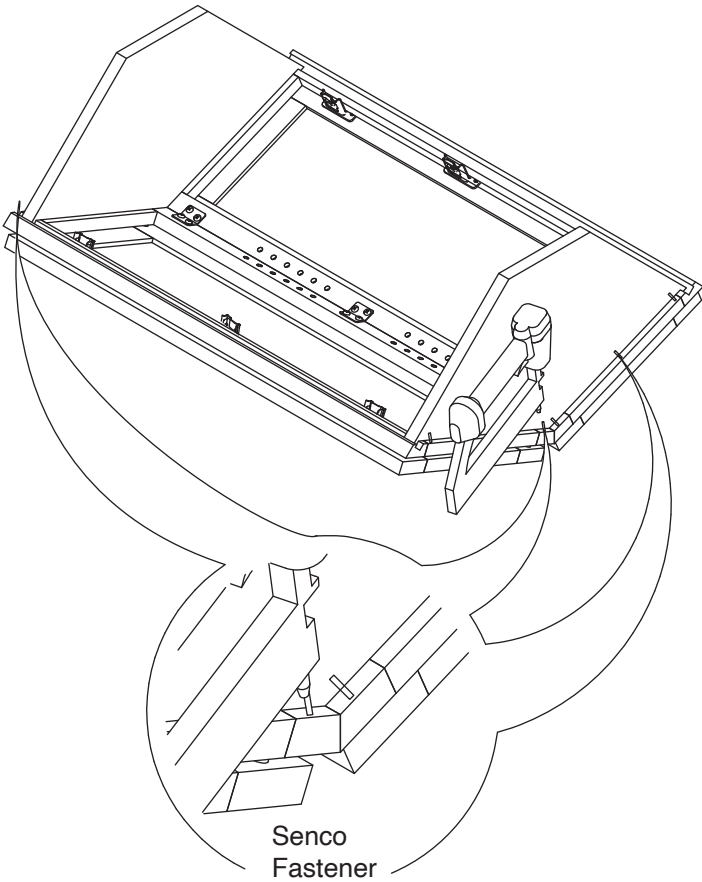
Step 5:



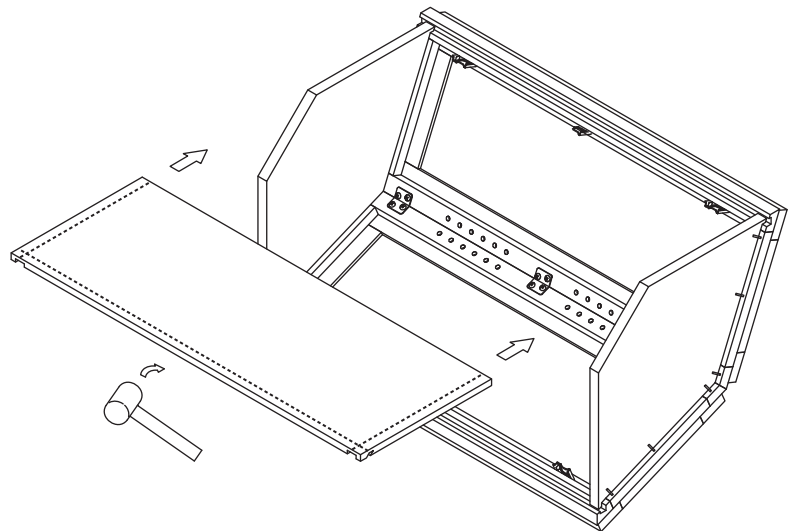
Step 6:



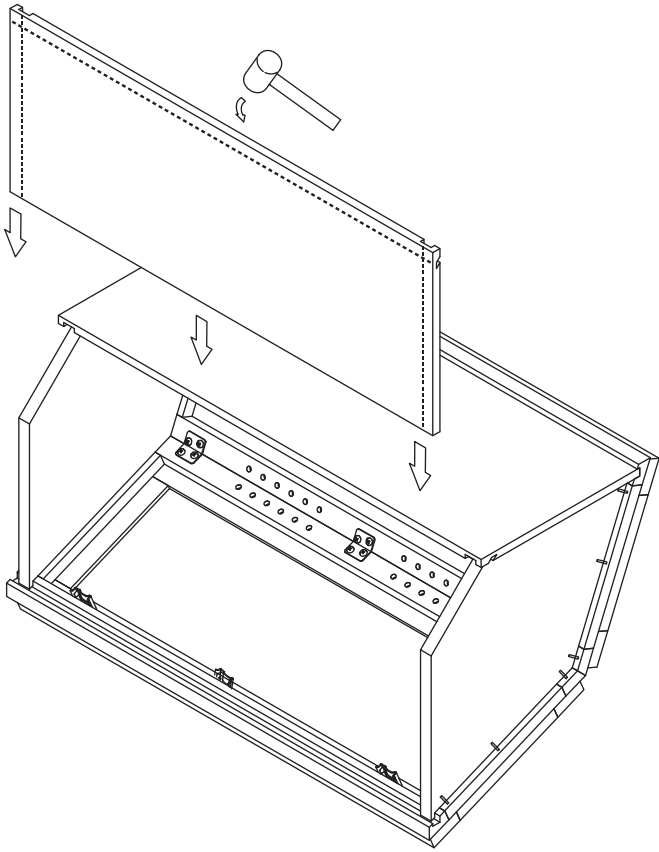
Step 7:



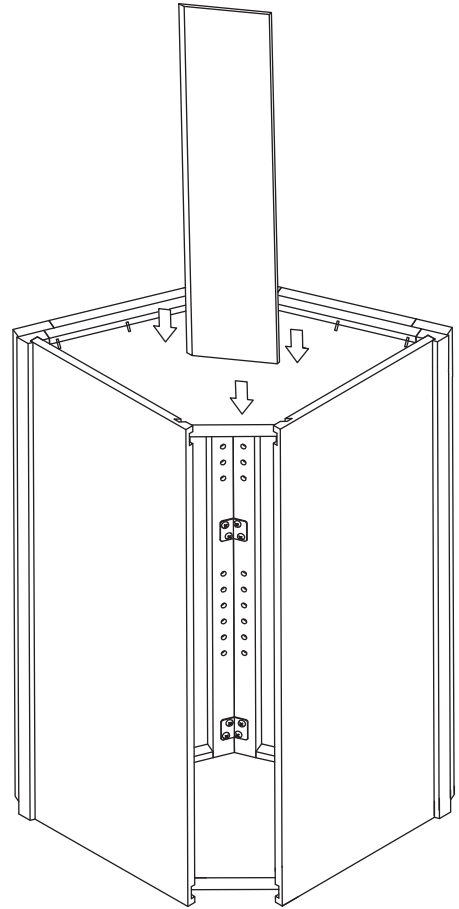
Step 8:



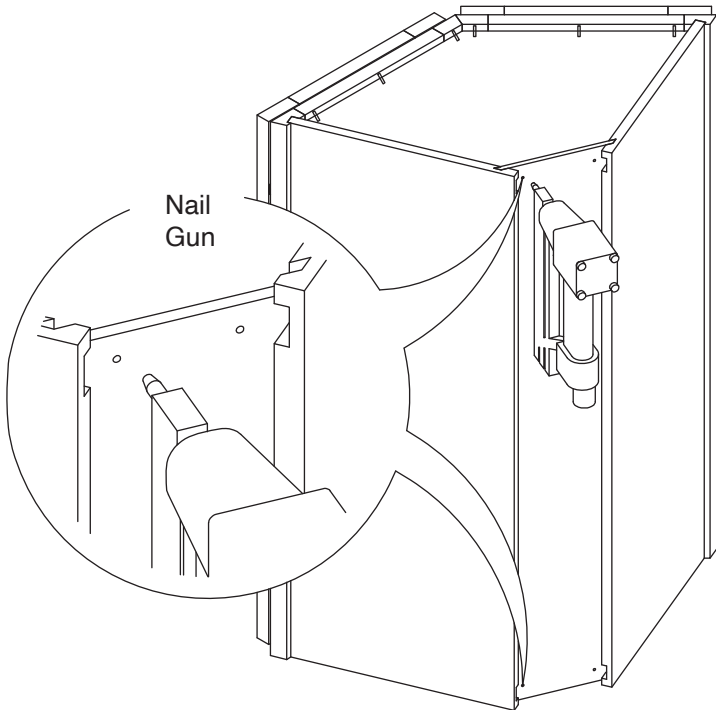
Step 9:



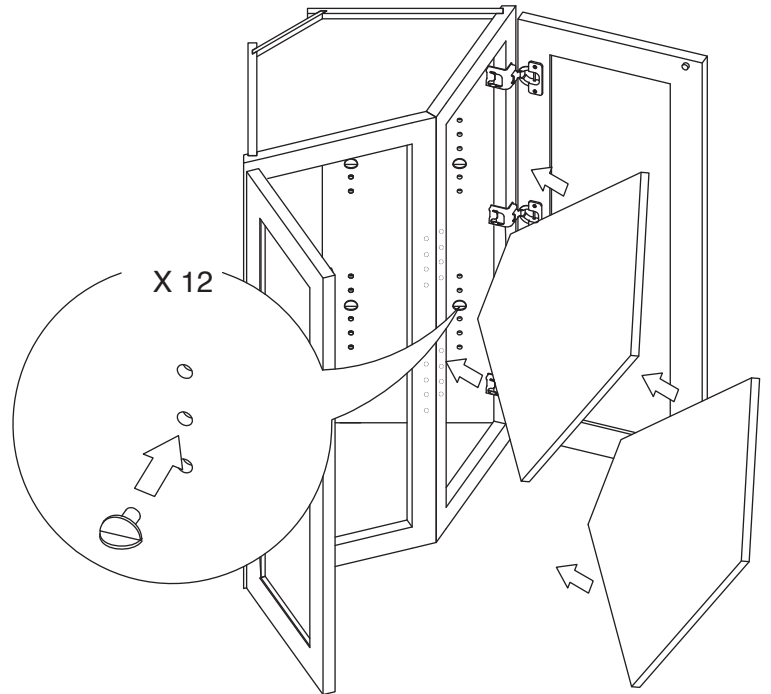
Step 10:



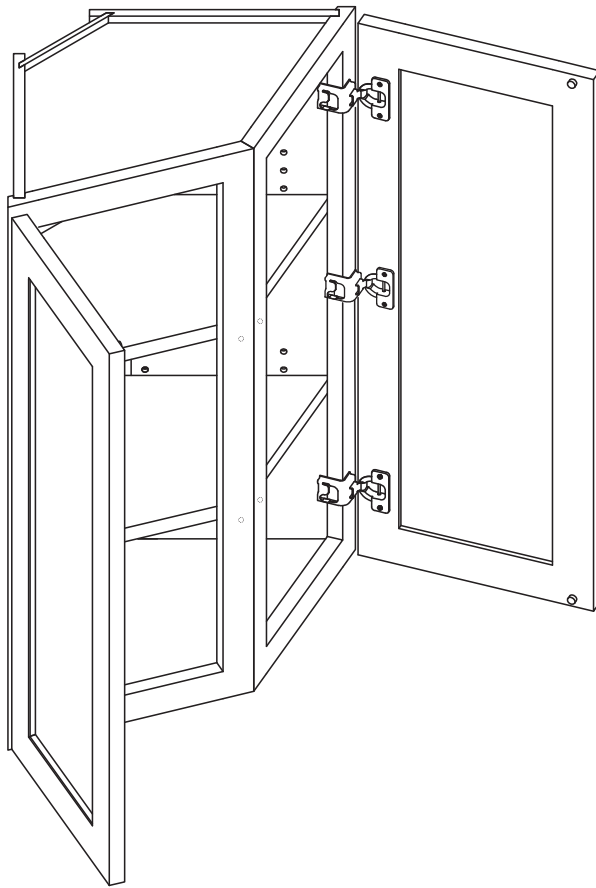
Step 11:



Step 12:



Step 13:



Step 14:

