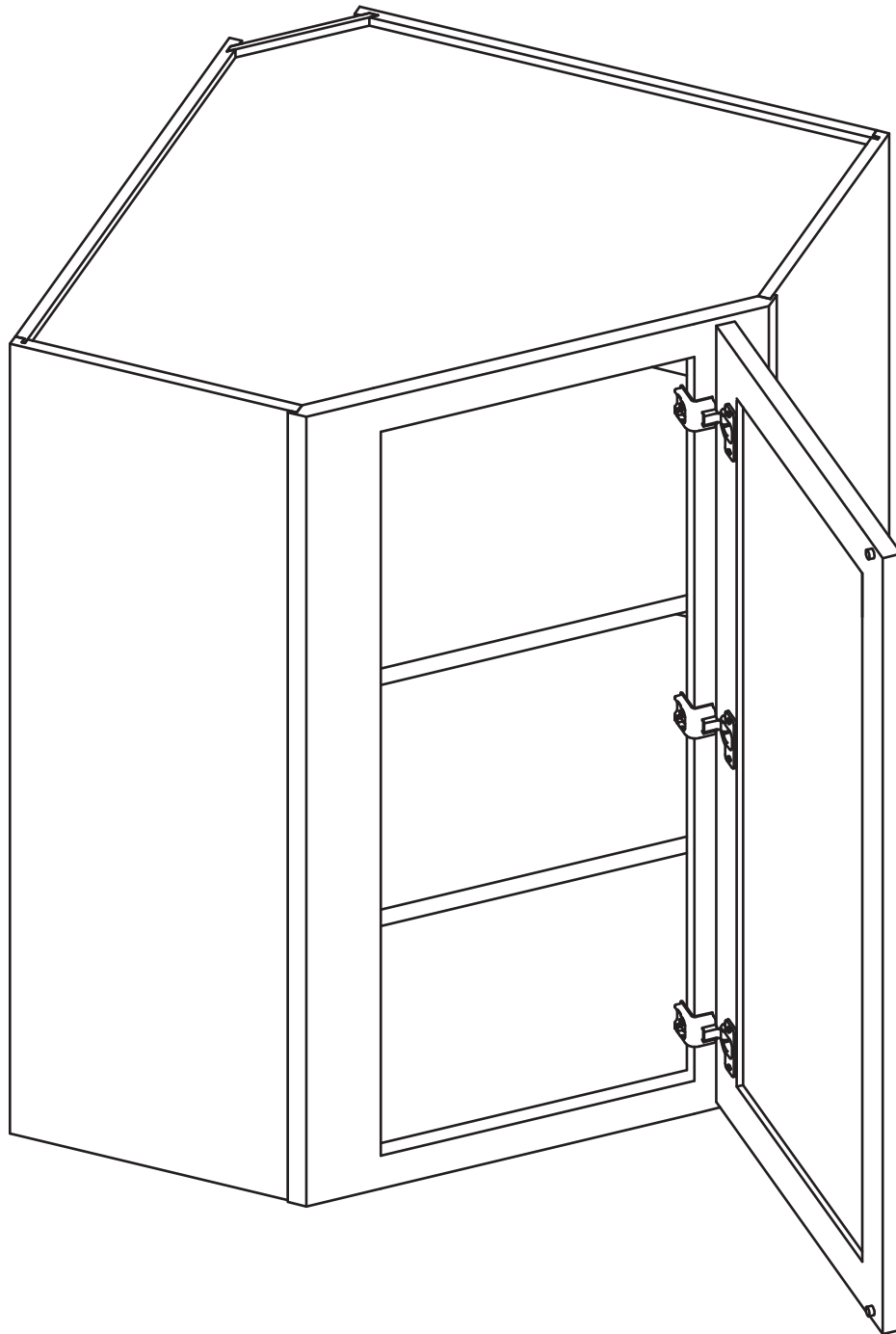


Assembly Instruction

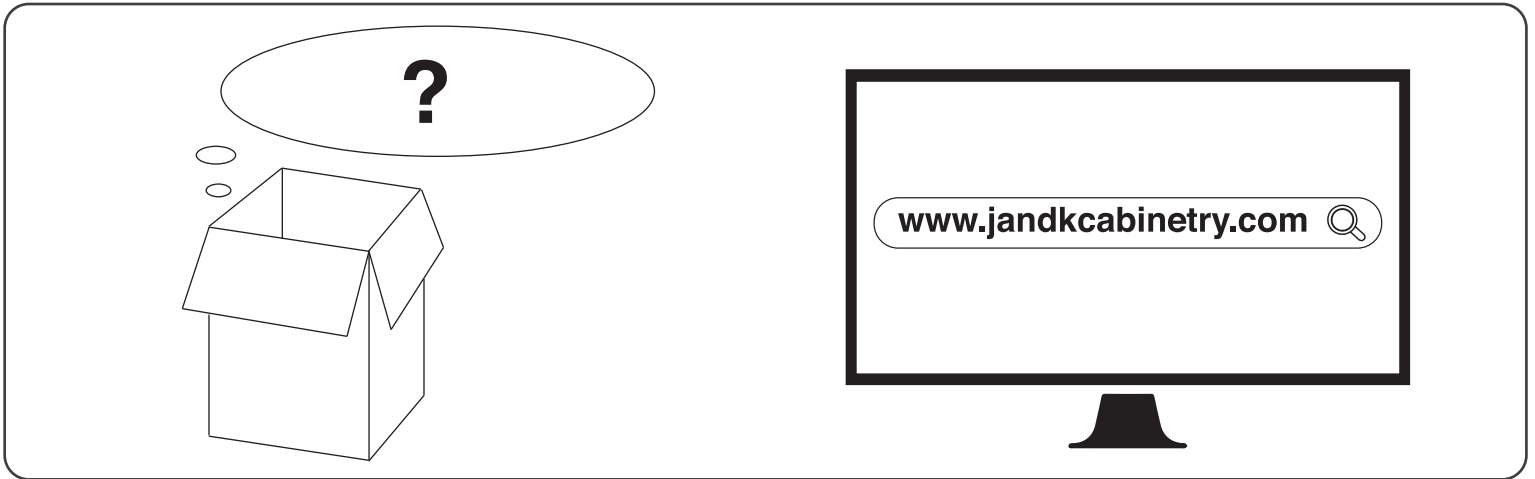
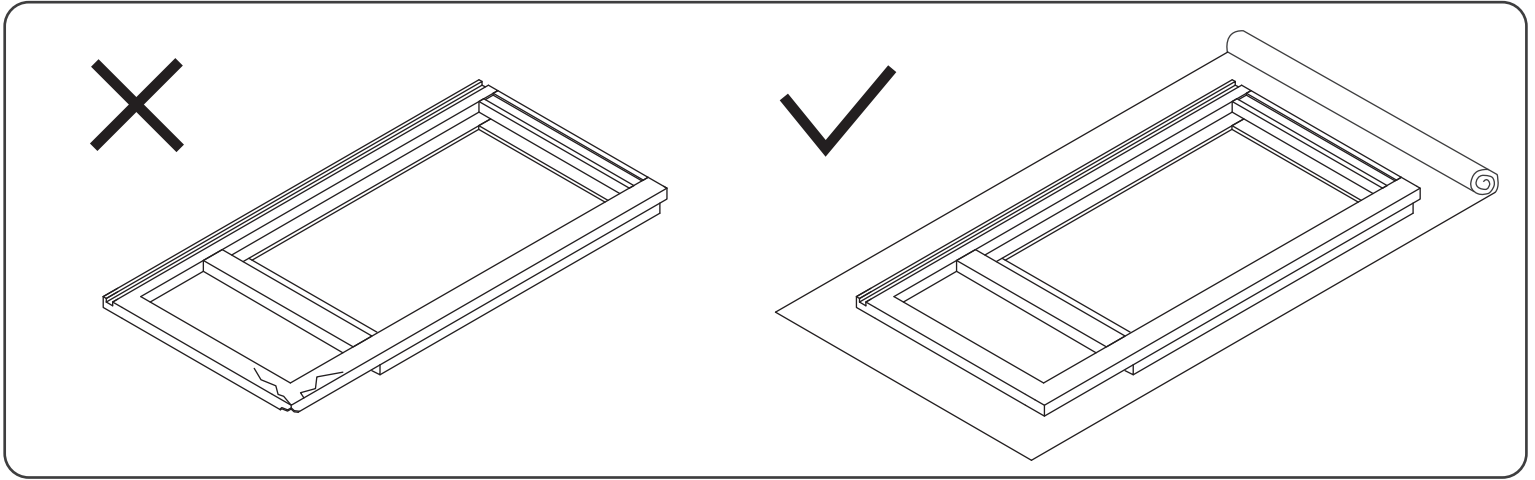
2020 Edition



Wall Diagonal Corner Cabinet

Item Code:

WDC2430, WDC2436, WDC273615



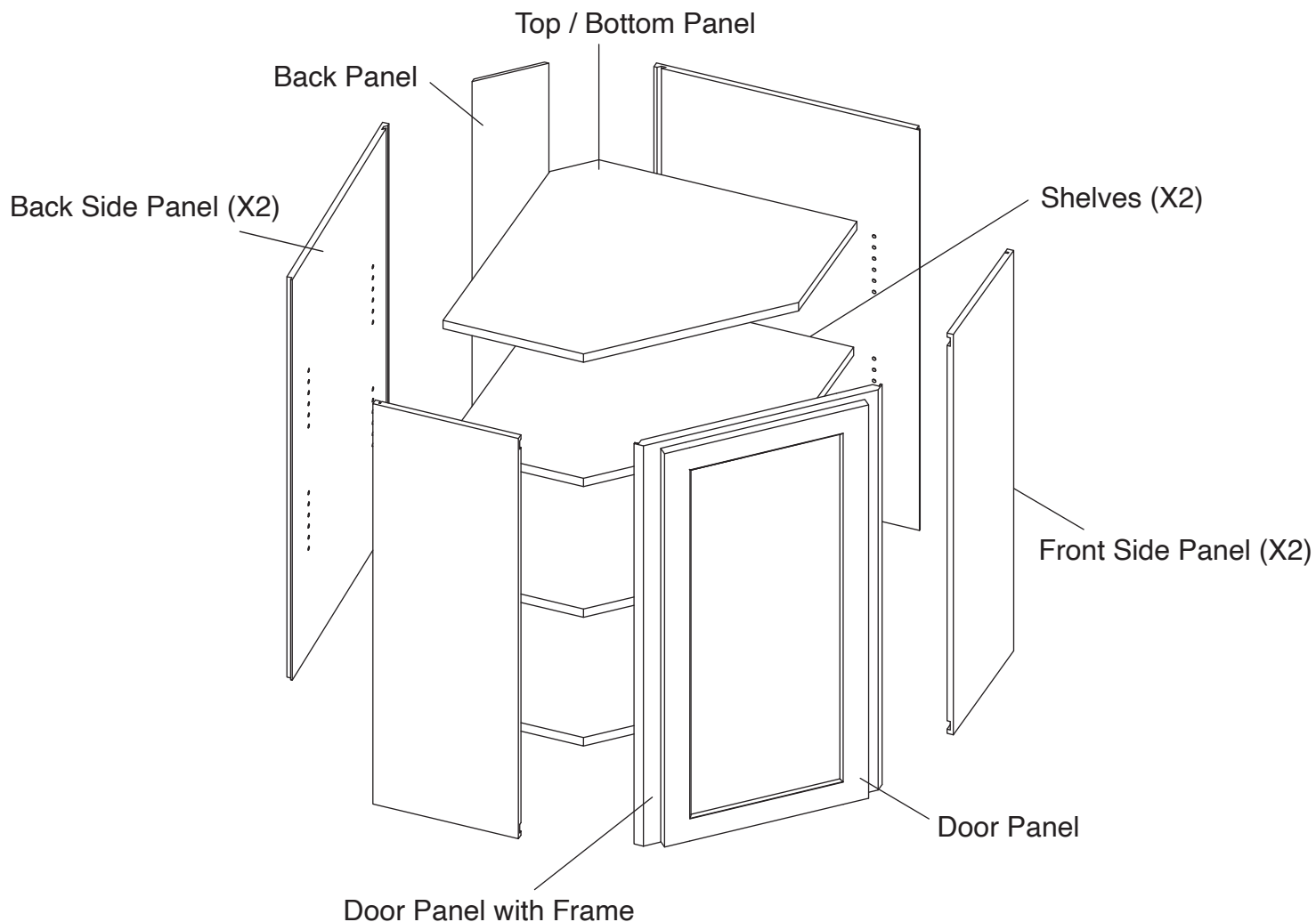
! WARNING:





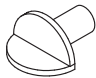
1. Please be careful when opening the box with boxcutter and/or blade.
2. J&K Cabinetry is not responsible for any injuries and/or damages incurred during cabinet assembly.

? SERVICE:

During the installation process, if you encounter any problems, please go to our official website: www.jandkcabinetry.com, check the full version assembly instruction or watch the assembly video online.

Included Items:



	5/8" 	1-1/4" 		
137° Brackets X 6	Screws X 24	Screws X 12	Door Bumpers X 2	Shelf Pins X 16

Recommended Tools:



Wood Glue



Screw Driver



Rubber Mallet



Compressor



Nail Gun



Stapler



Senco Fastener

Safety Tools:

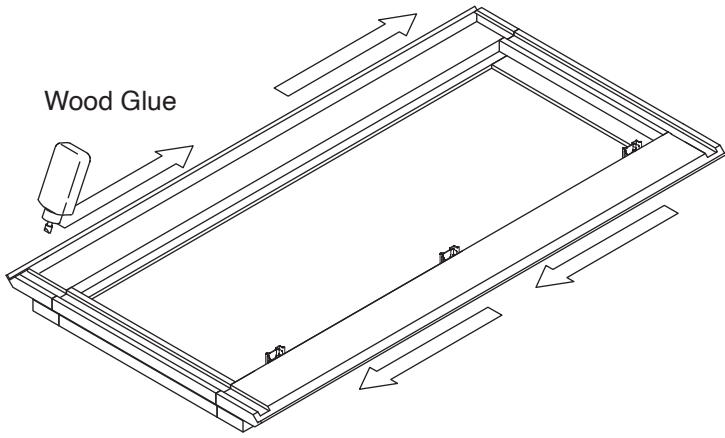


Eye Wear

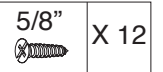
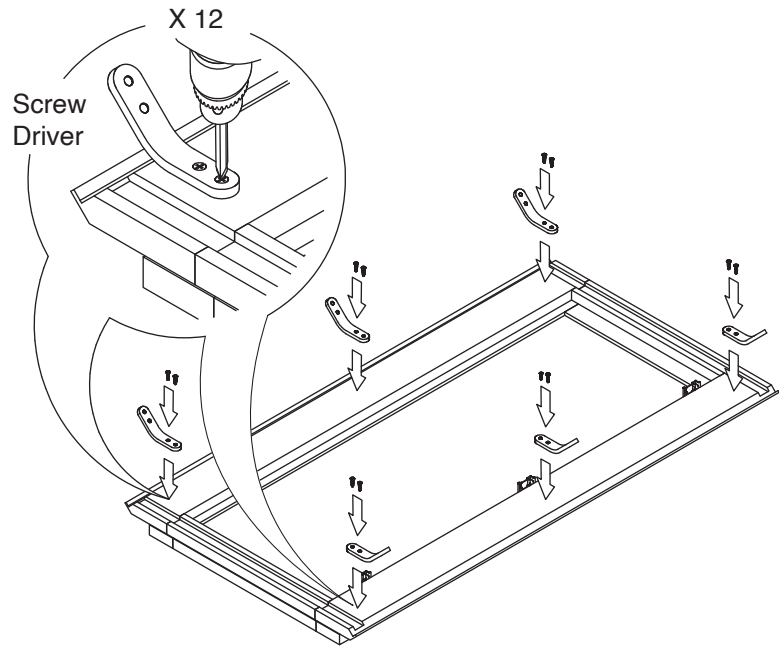


Gloves

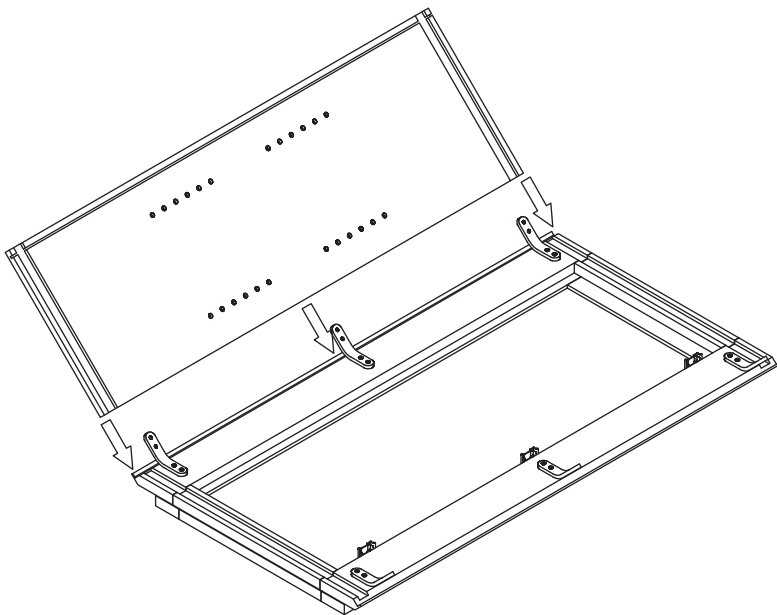
Step 1:



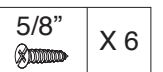
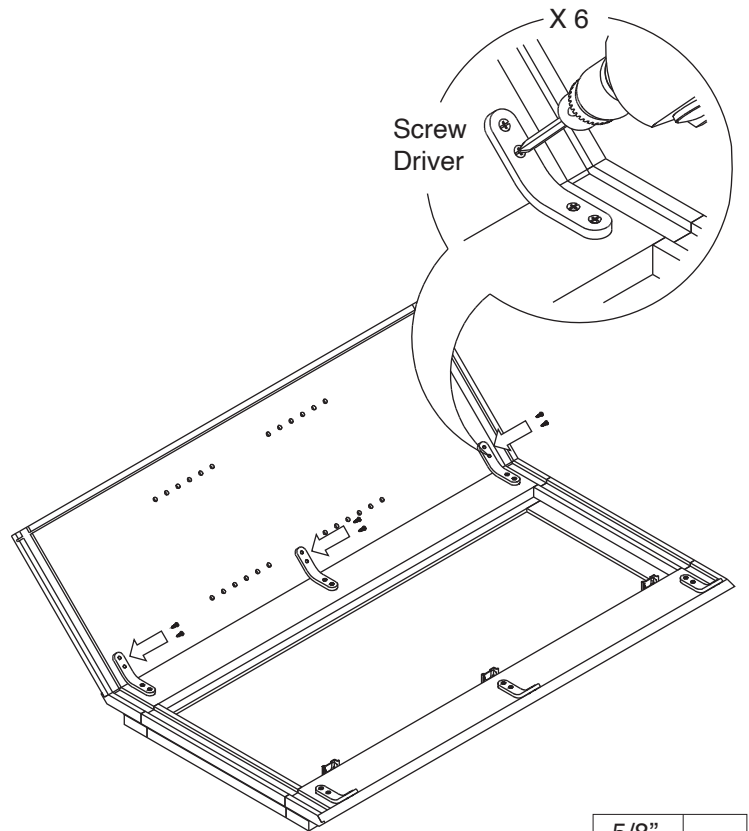
Step 2:



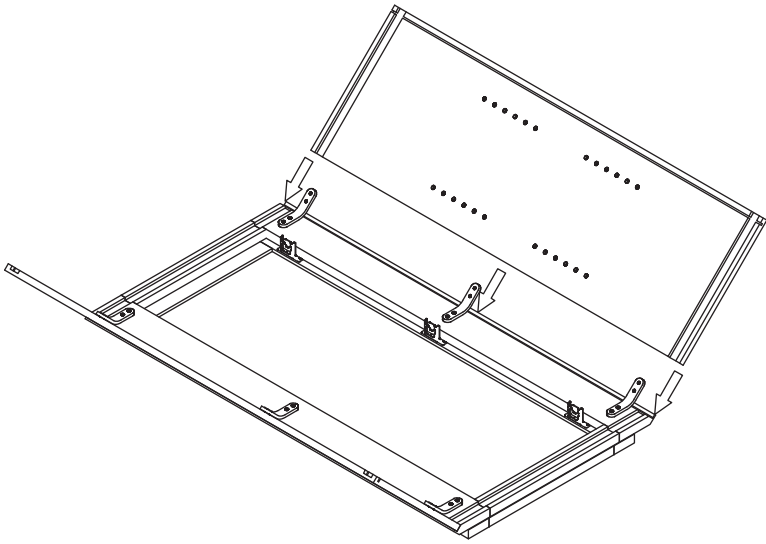
Step 3:



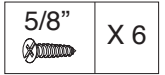
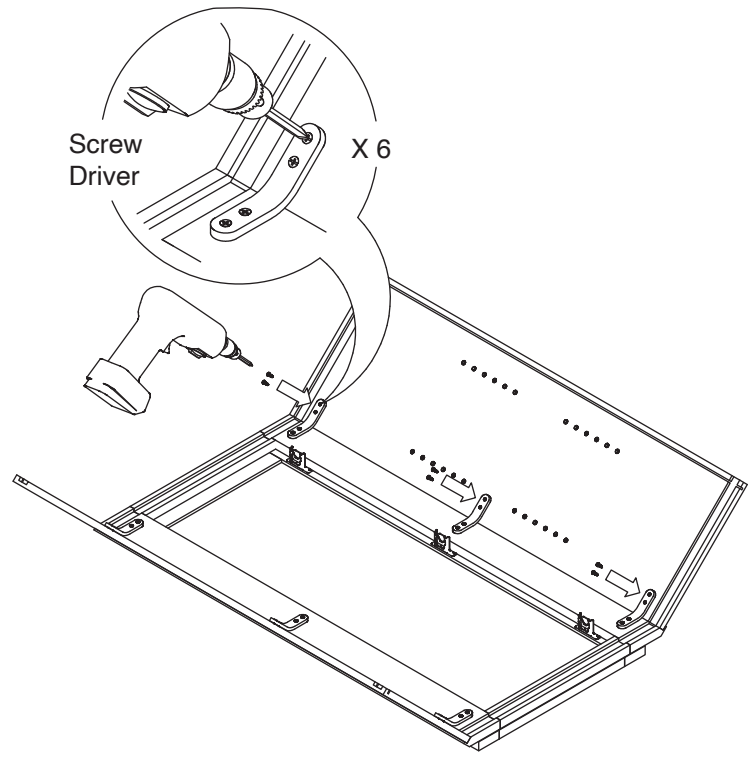
Step 4:



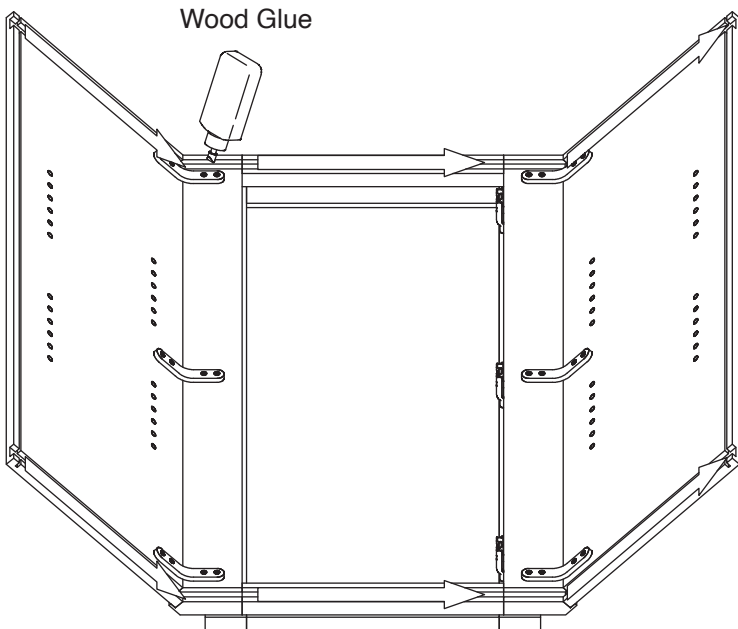
Step 5:



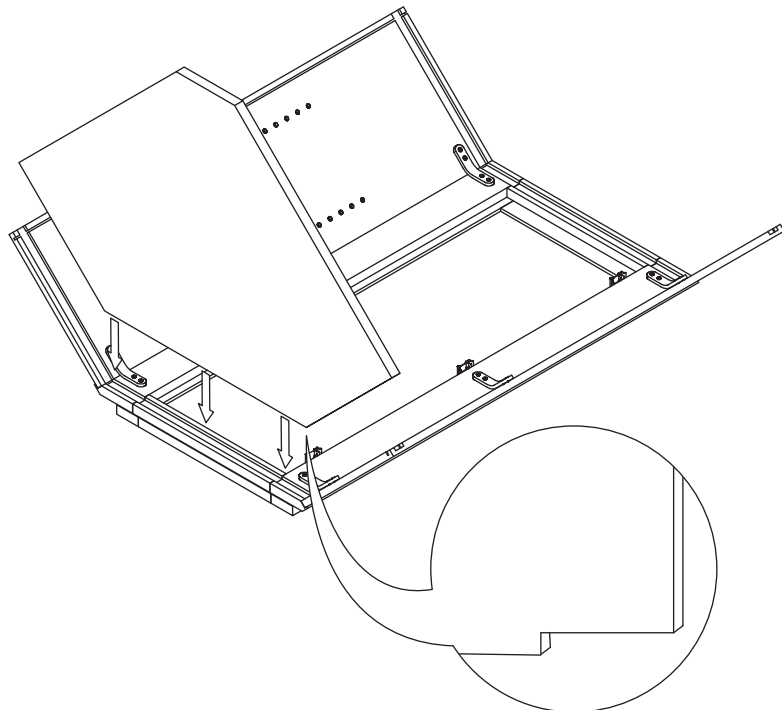
Step 6:



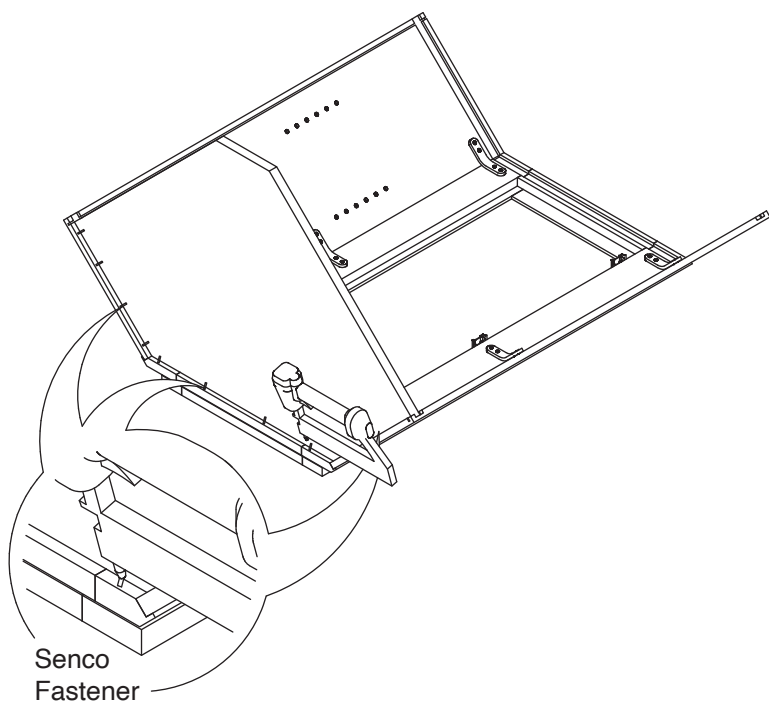
Step 7:



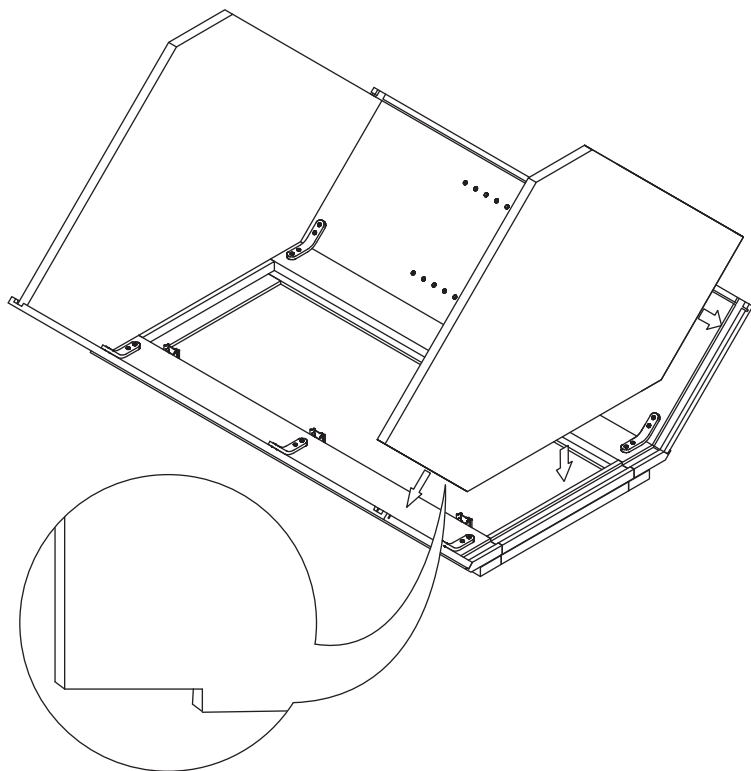
Step 8:



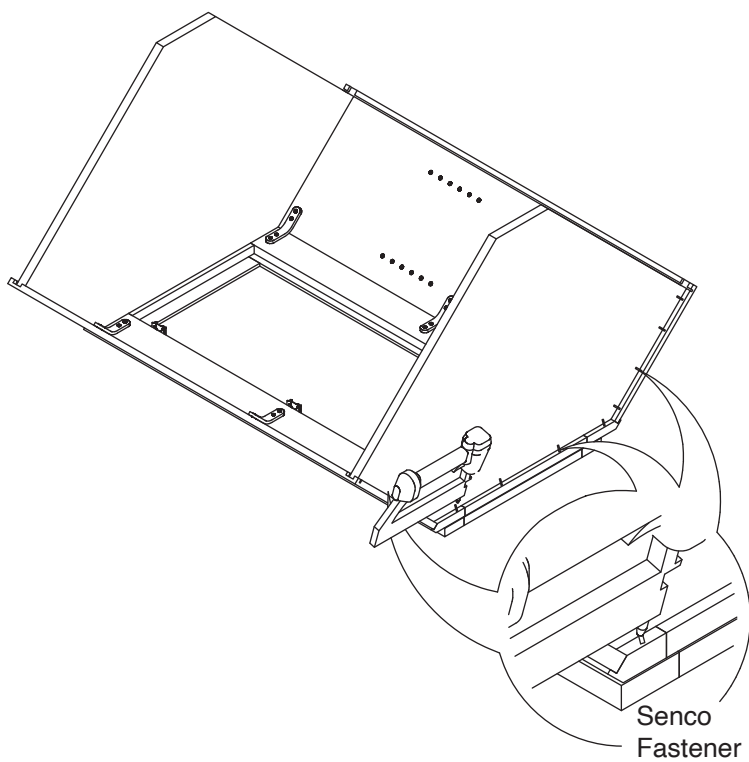
Step 9:



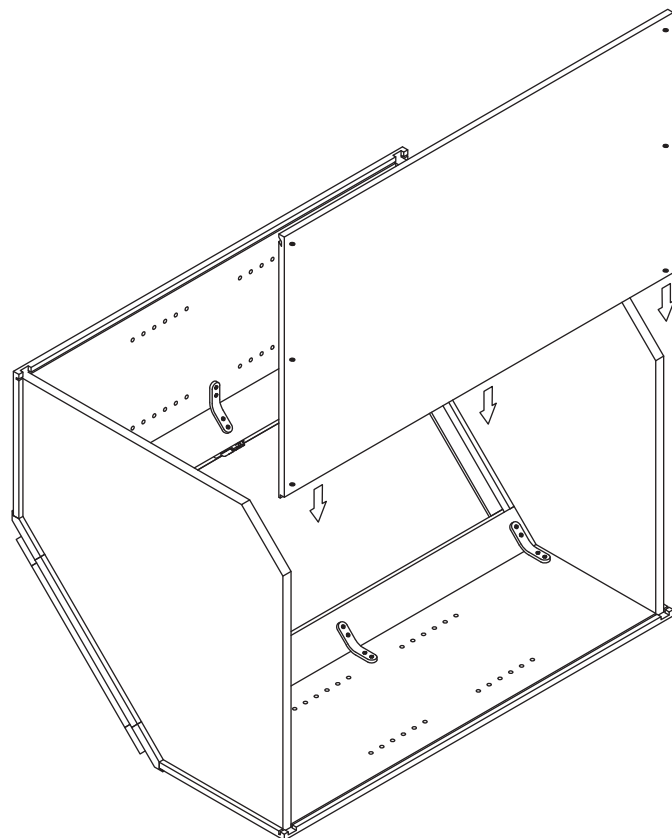
Step 10:



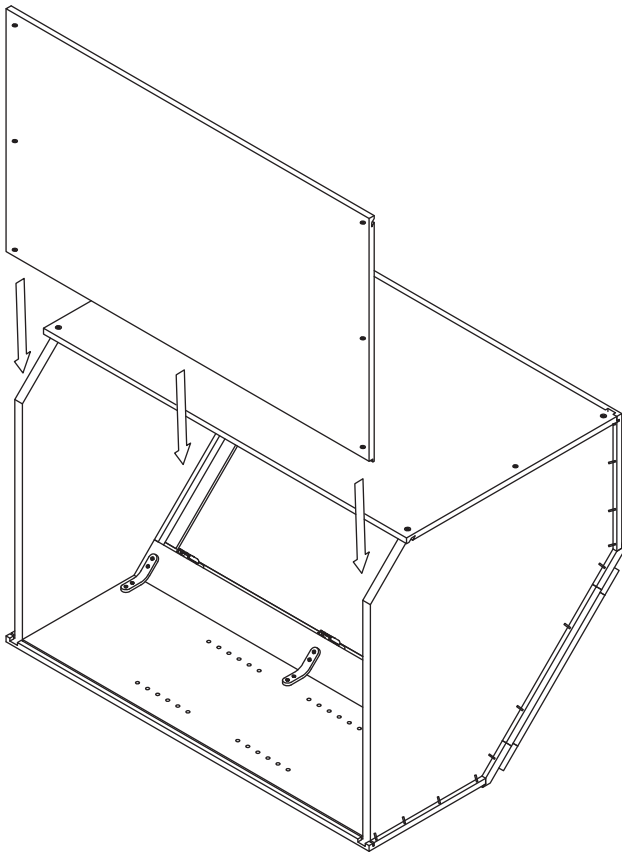
Step 11:



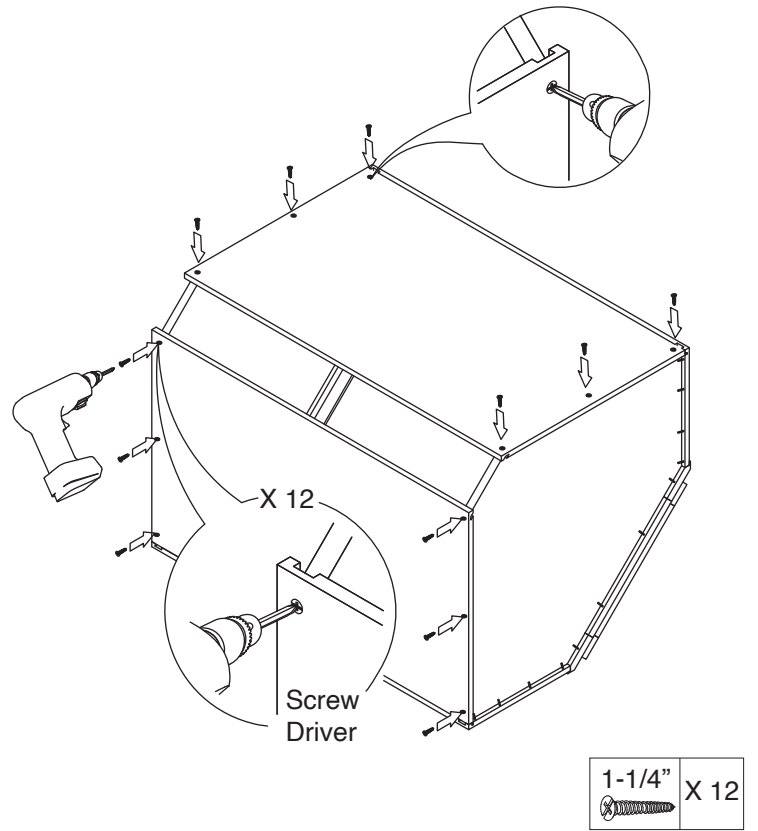
Step 12:



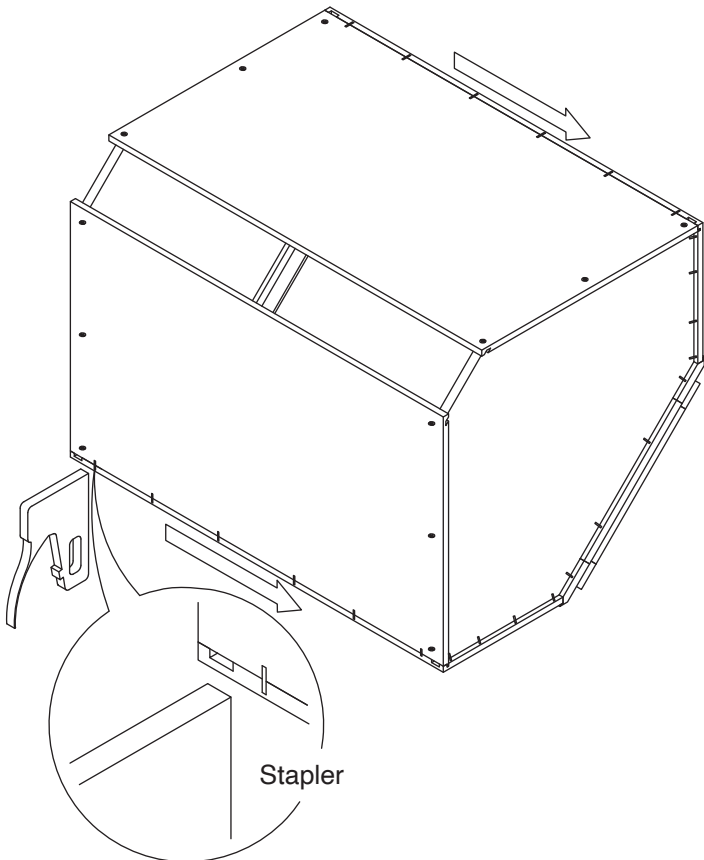
Step 13:



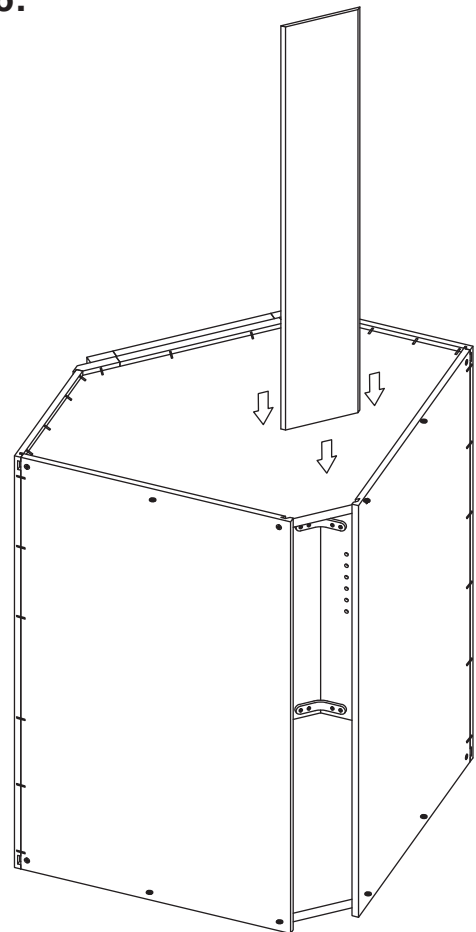
Step 14:



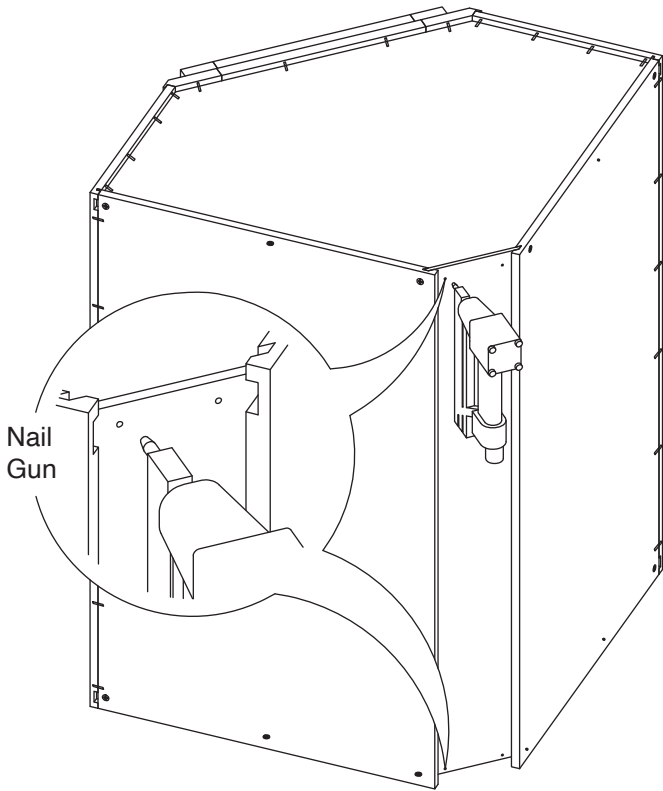
Step 15:



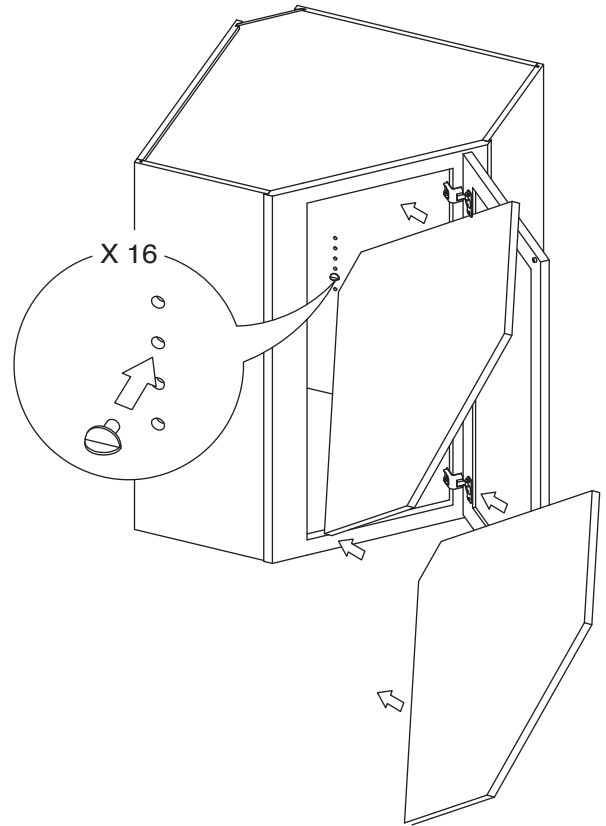
Step 16:



Step 17:



Step 18:



Step 19:

