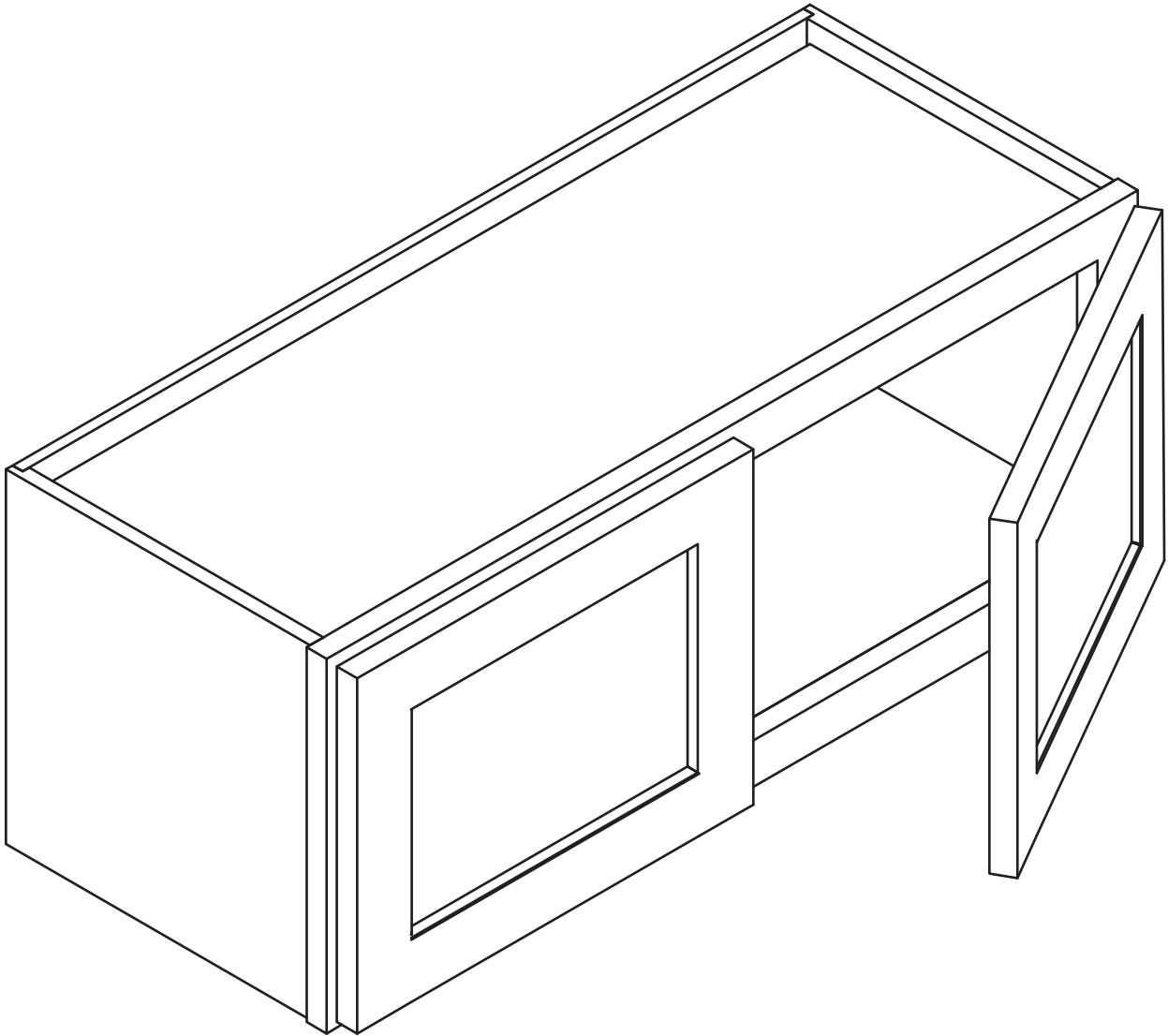


Assembly Instruction

2020 Edition



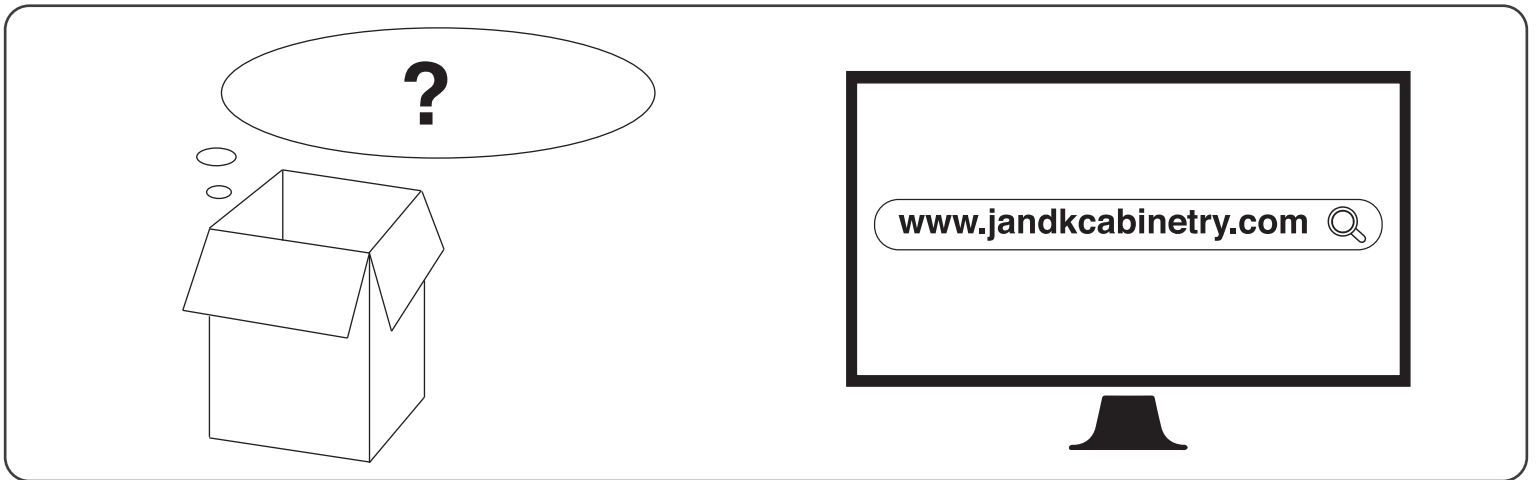
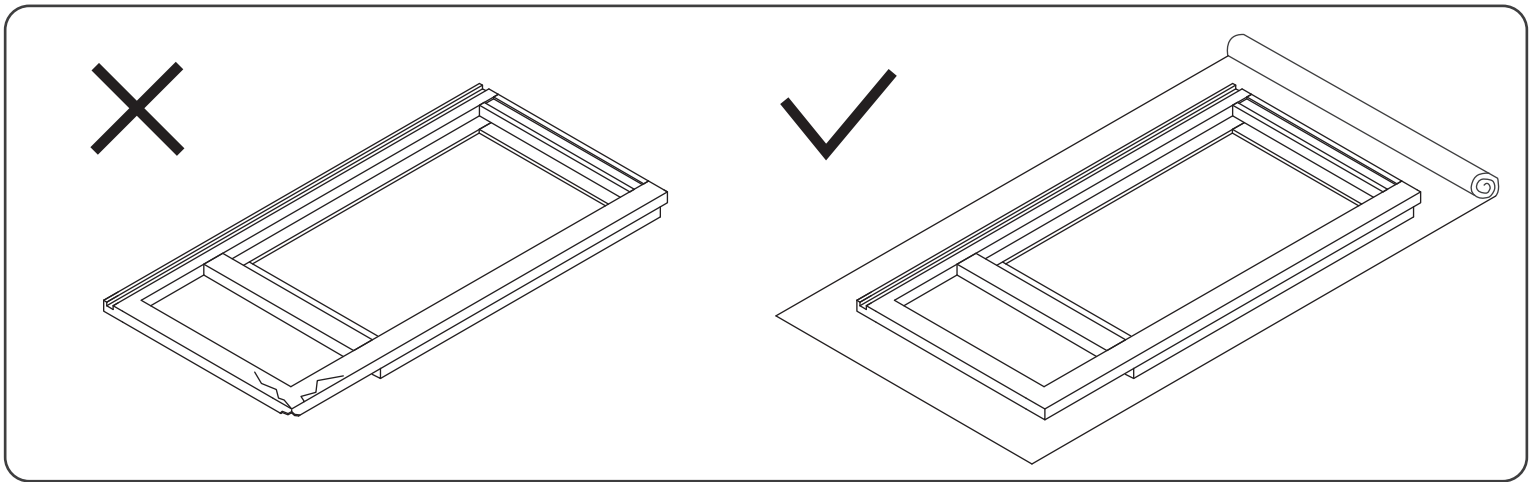
Refrigerator Wall Cabinet

Item Code:

W301227, W331227, W361227, W301527, W331527, W361527

W301827, W331827, W361827, W302127, W332127, W362127

W302427, W332427, W362427



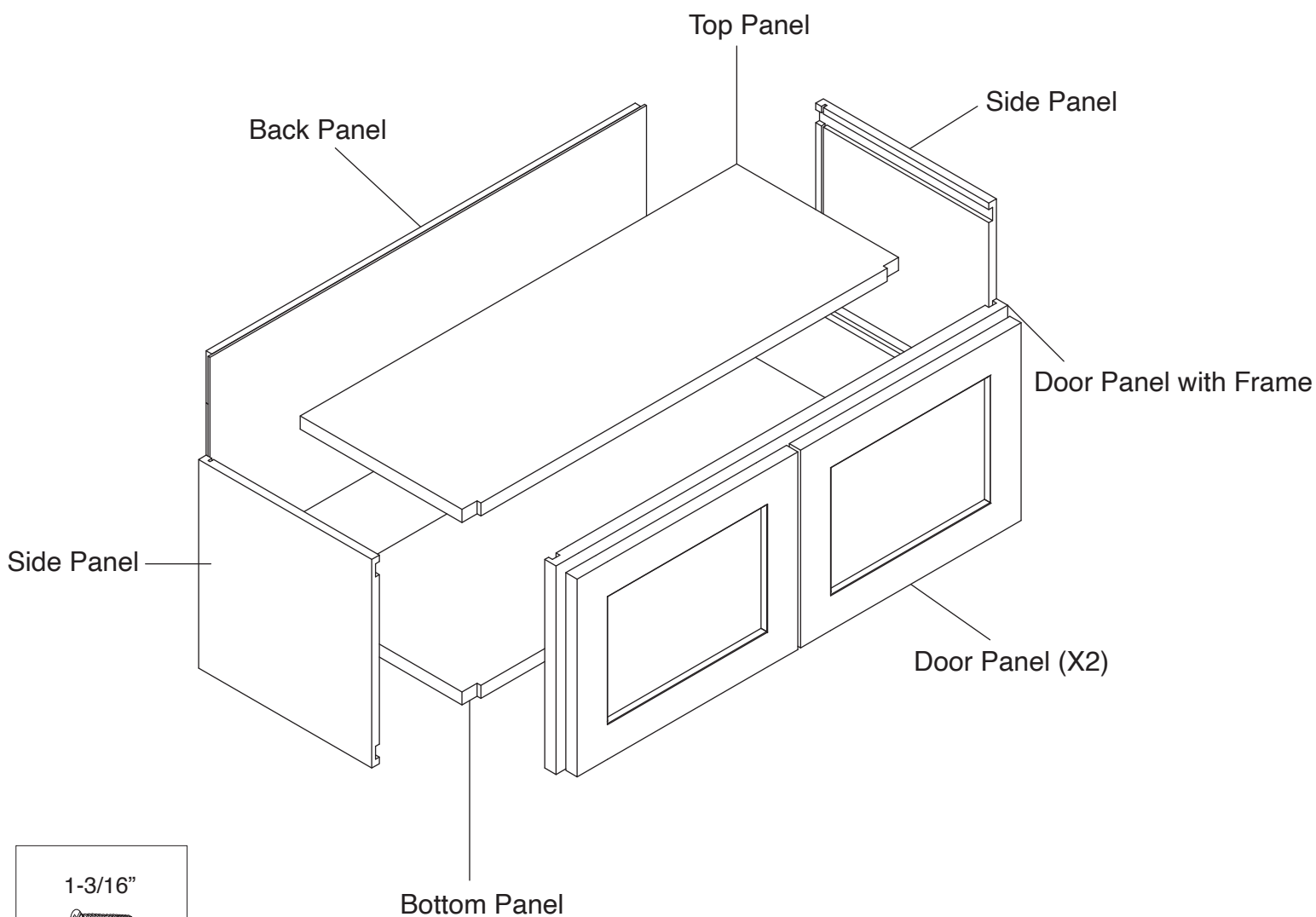
WARNING:


1. Please be careful when opening the box with boxcutter and/or blade.
2. J&K Cabinetry is not responsible for any injuries and/or damages incurred during cabinet assembly.

SERVICE:

During the installation process, if you encounter any problems, please go to our official website: www.jandkcabinetry.com, check the full version assembly instruction or watch the assembly video online.

Included Items:



1-3/16" 
Screws X 8

Recommended Tools:



Wood Glue



Screw Driver



Rubber Mallet



Compressor



Nail Gun



Stapler



Senco Fastener

Safety Tools:

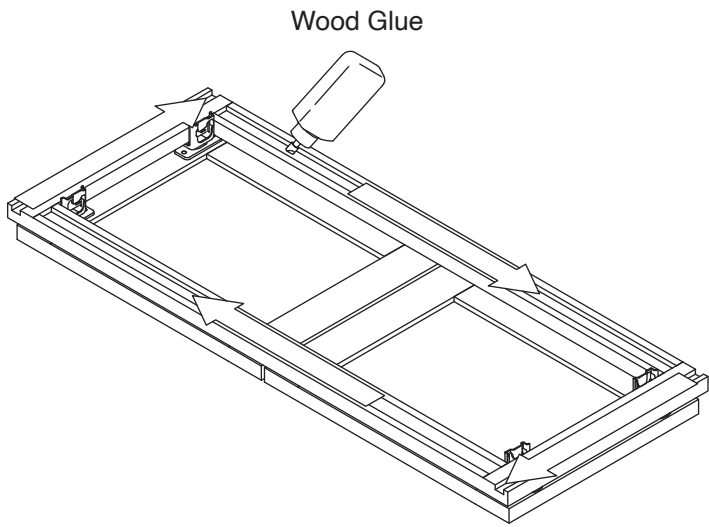


Eye Wear

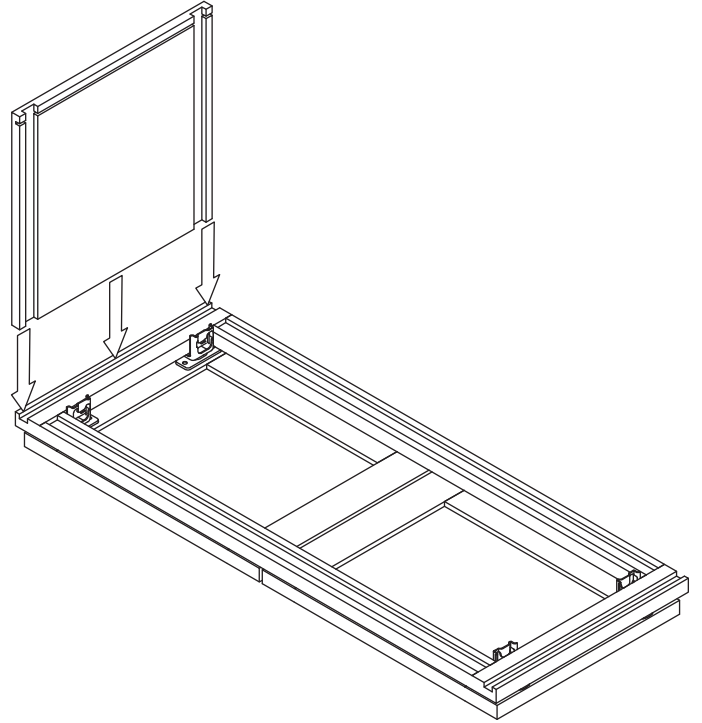


Gloves

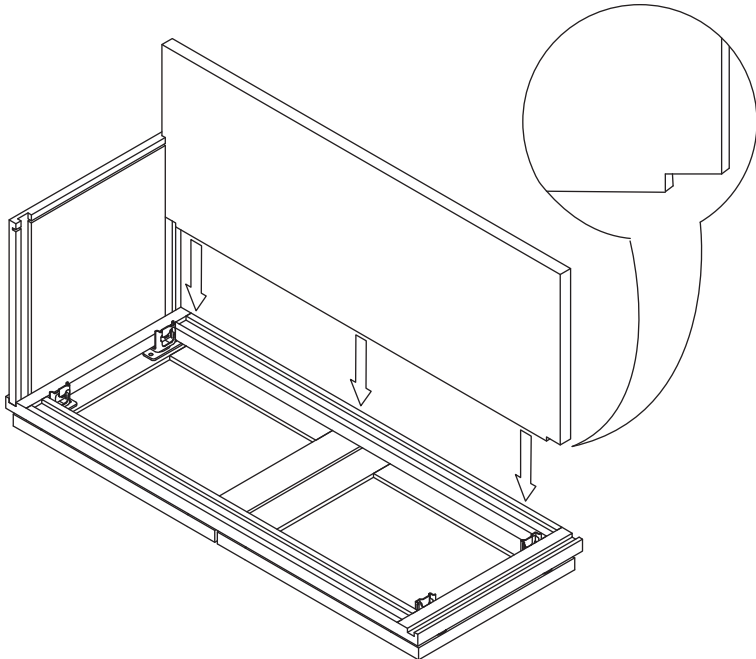
Step 1:



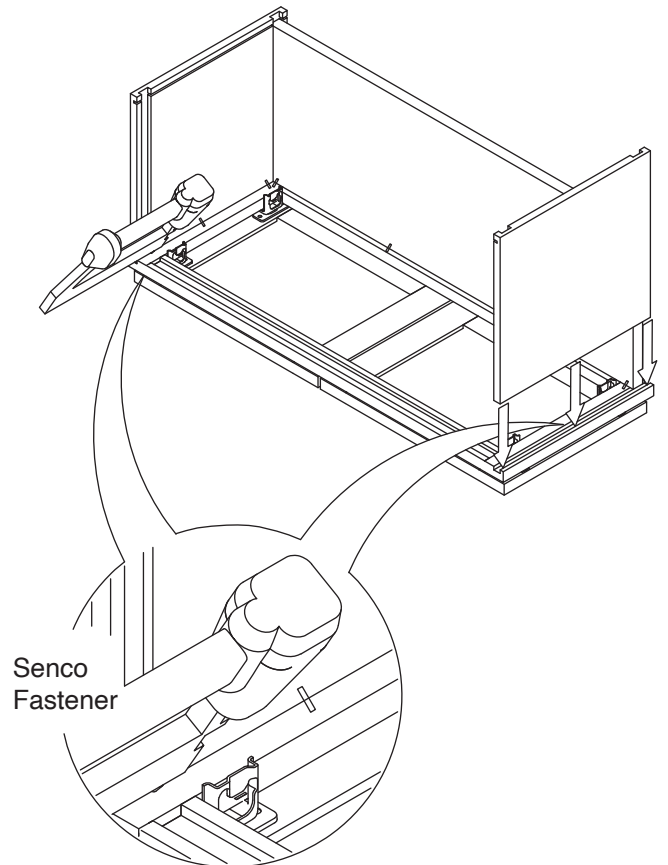
Step 2:



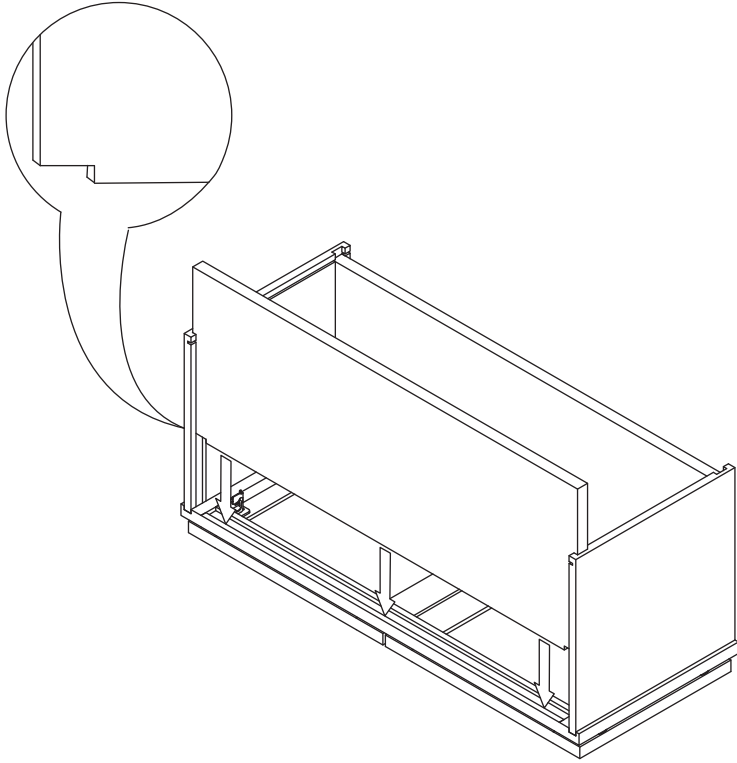
Step 3:



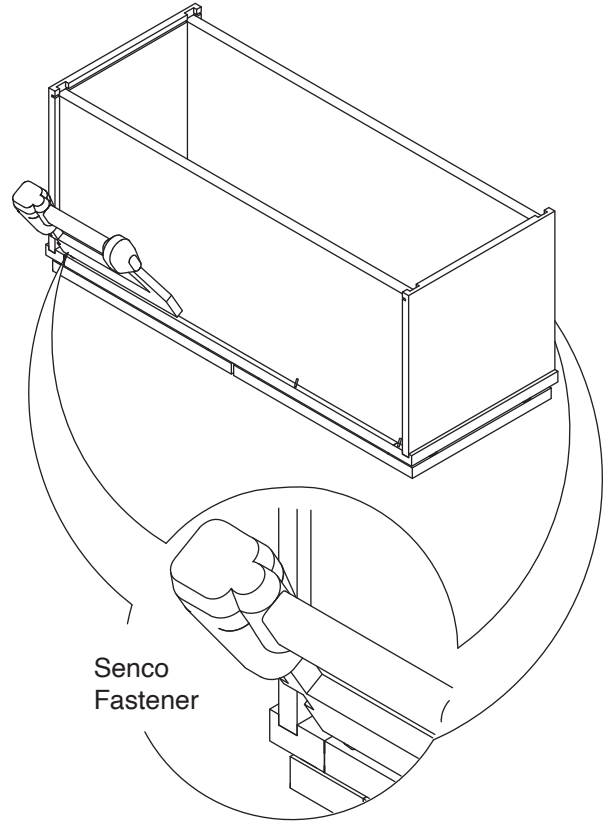
Step 4:



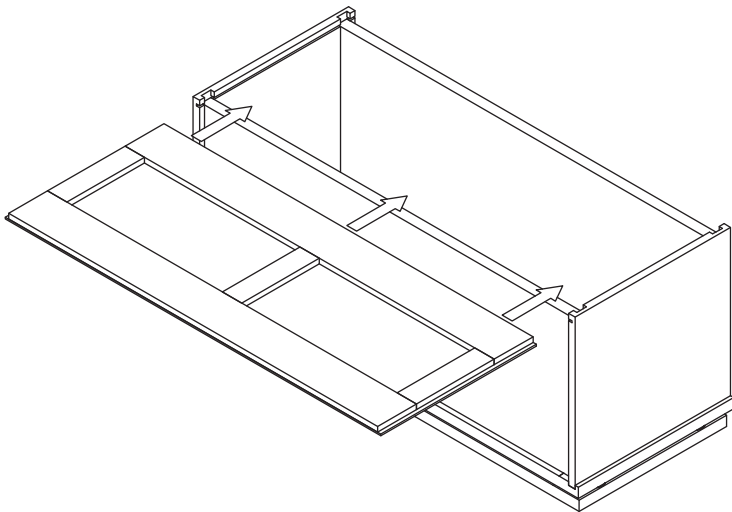
Step 5:



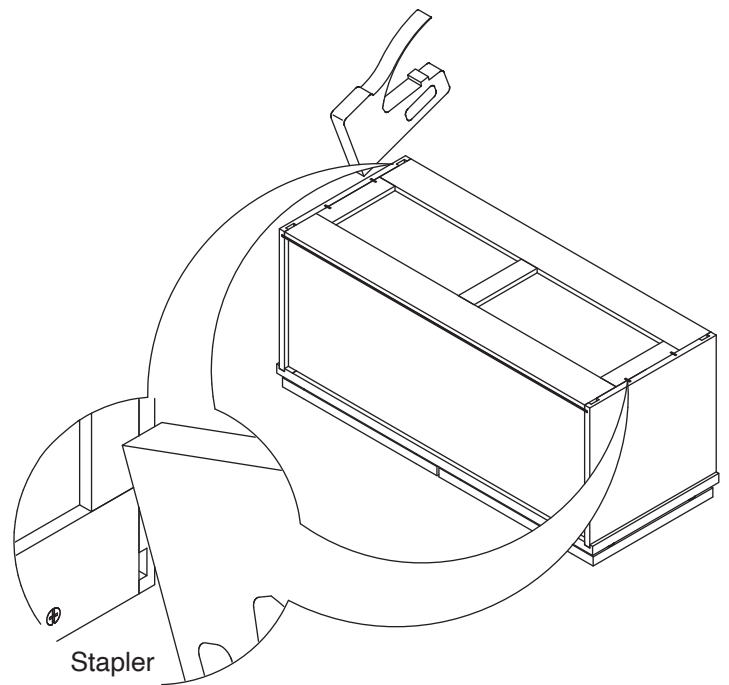
Step 6:



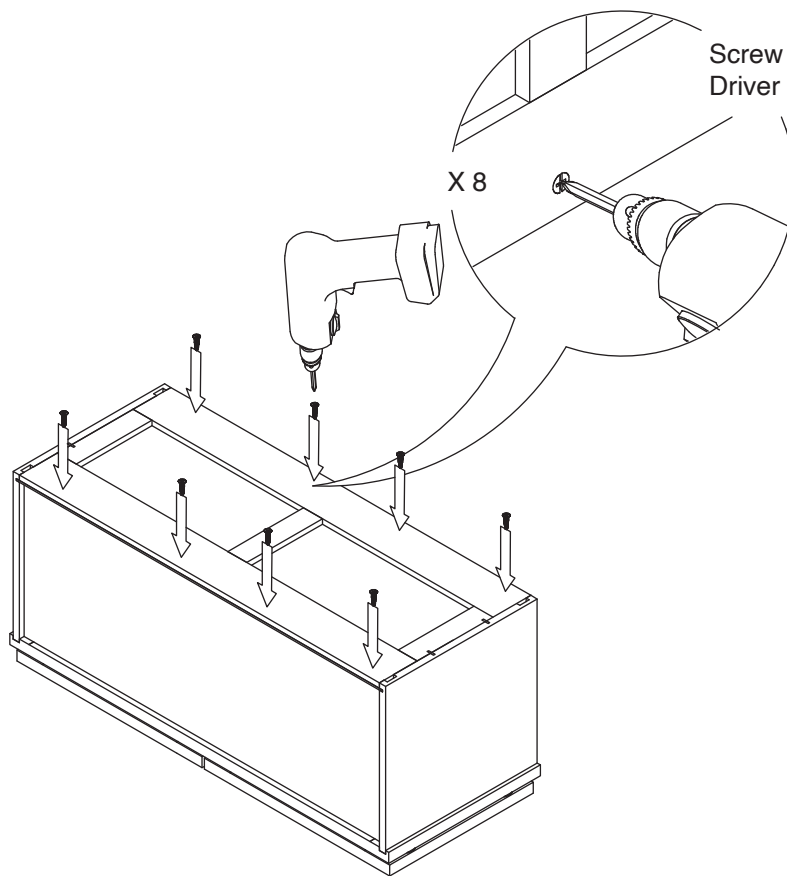
Step 7:



Step 8:



Step 9:



Step 10:

