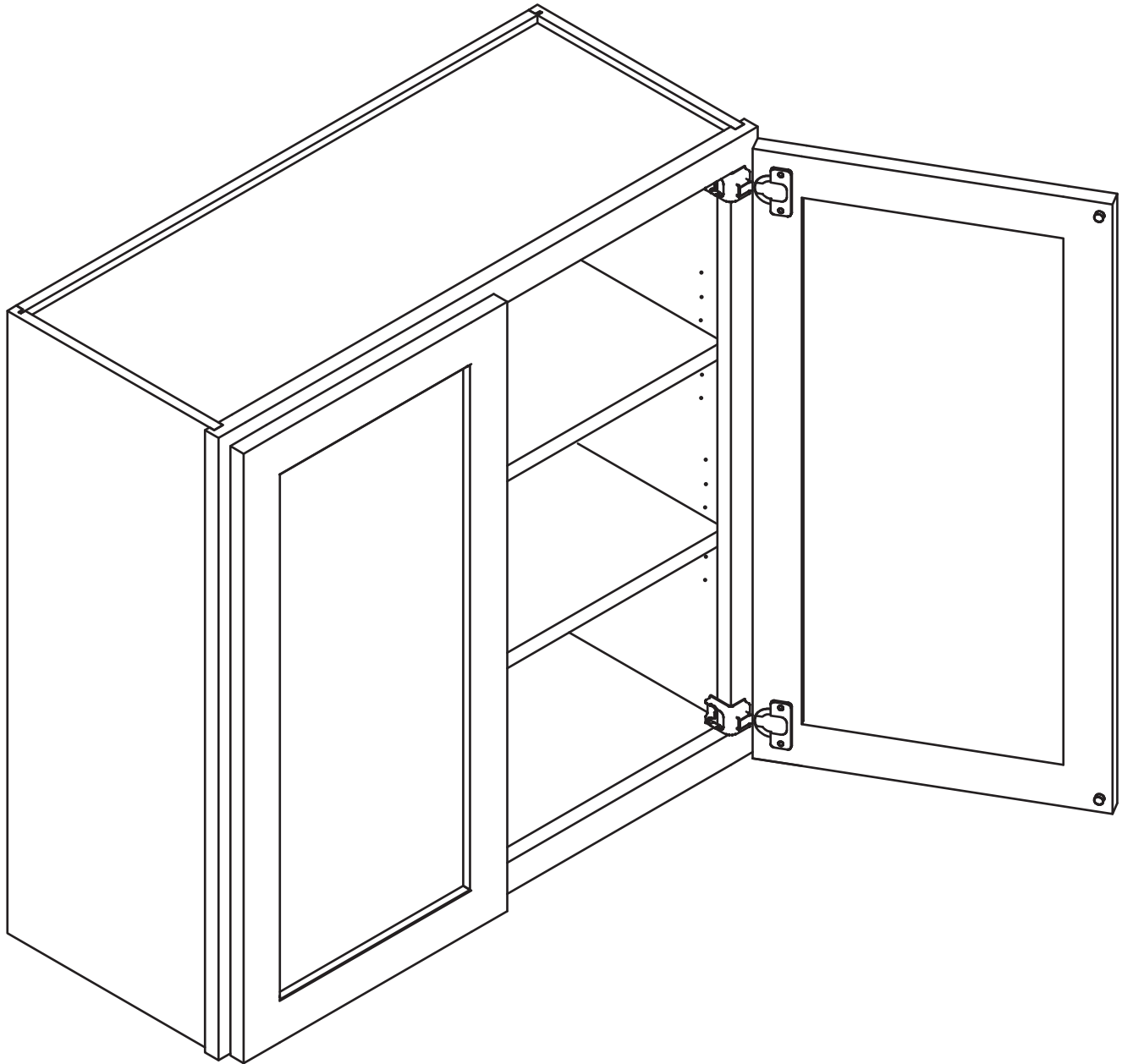


Assembly Instruction

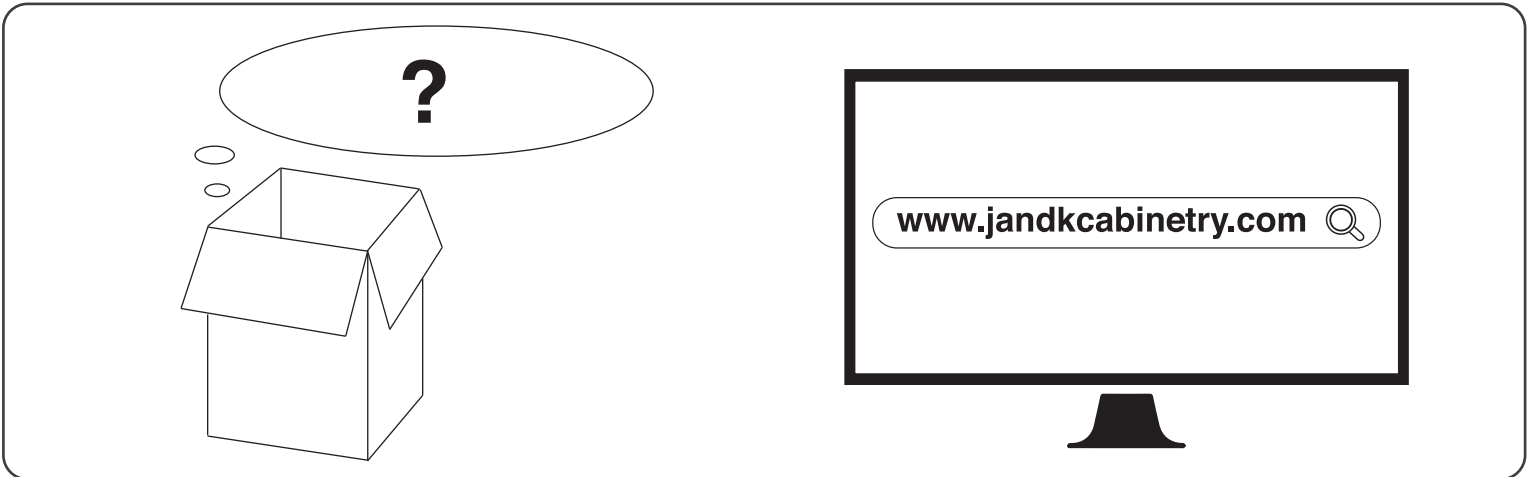
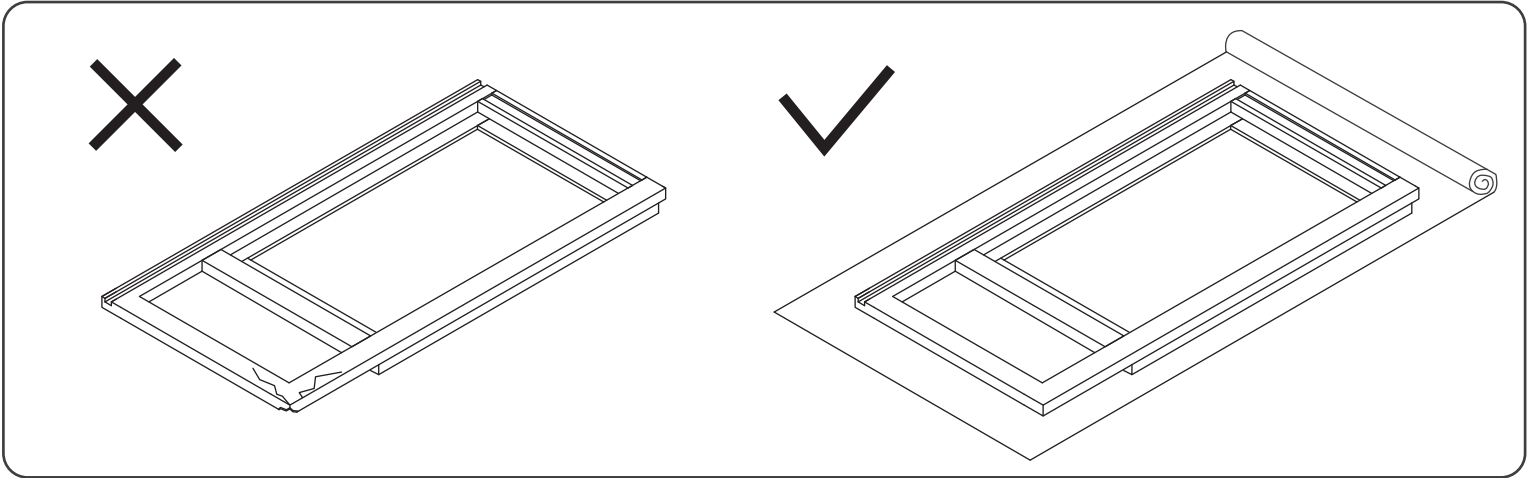
2020 Edition



Wall Cabinet

Item Code:

W2430, W2730, W3030, W3330, W3630, W3930, W4230
W2436, W2736, W3036, W3336, W3636, W4236



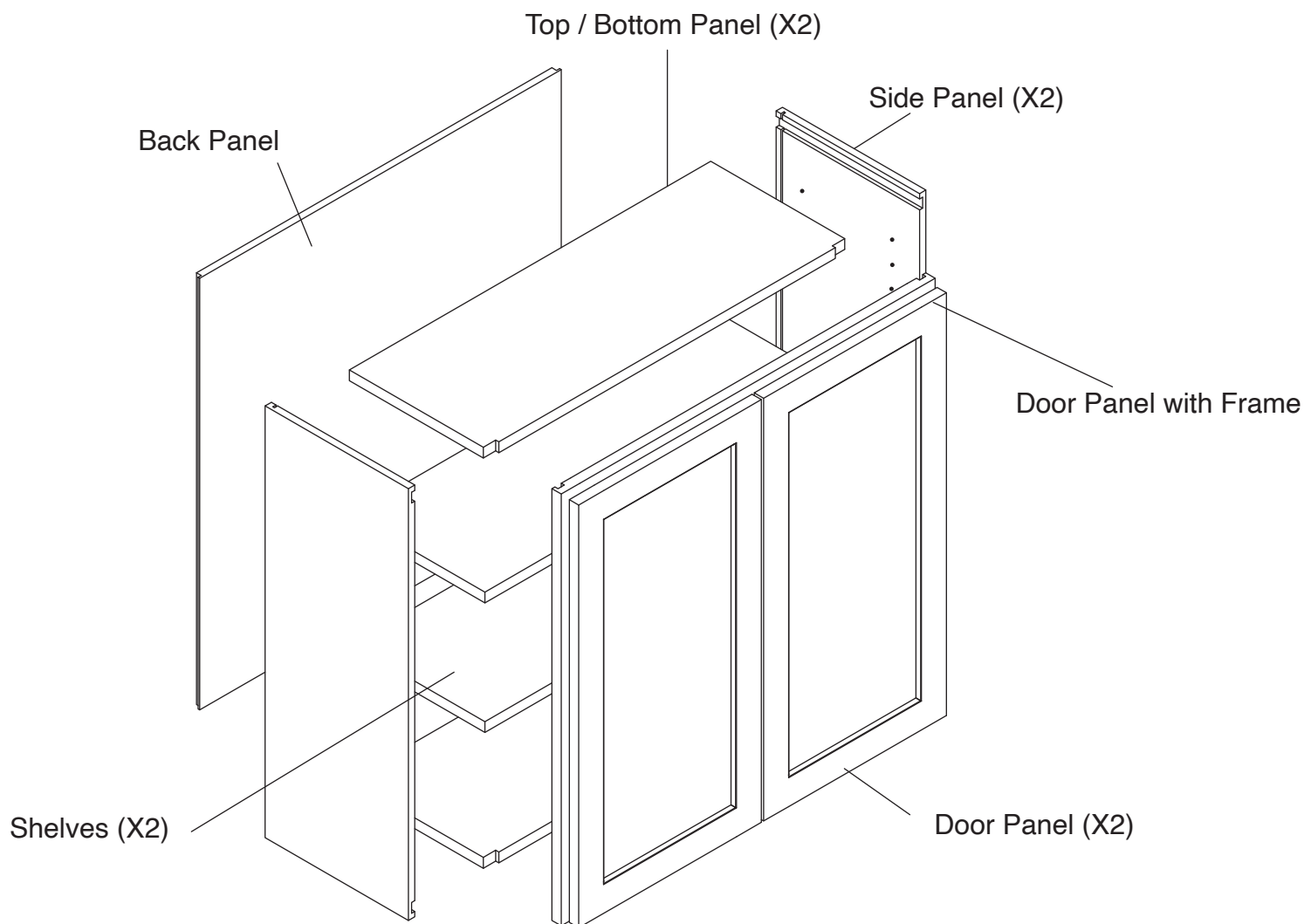
! WARNING:



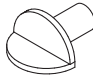
1. Please be careful when opening the box with boxcutter and/or blade.
2. J&K Cabinetry is not responsible for any injuries and/or damages incurred during cabinet assembly.

? SERVICE:

During the installation process, if you encounter any problems, please go to our official website: www.jandkcabinetry.com, check the full version assembly instruction or watch the assembly video online.

Included Items:



 <p>1-3/16"</p>		
<p>Screws X 8</p>	<p>Door Bumpers X 4</p>	<p>Glass Shelf Pins X 8</p>

Recommended Tools:



Wood Glue



Screw Driver



Rubber Mallet



Compressor



Nail Gun



Stapler



Senco Fastener

Safety Tools:

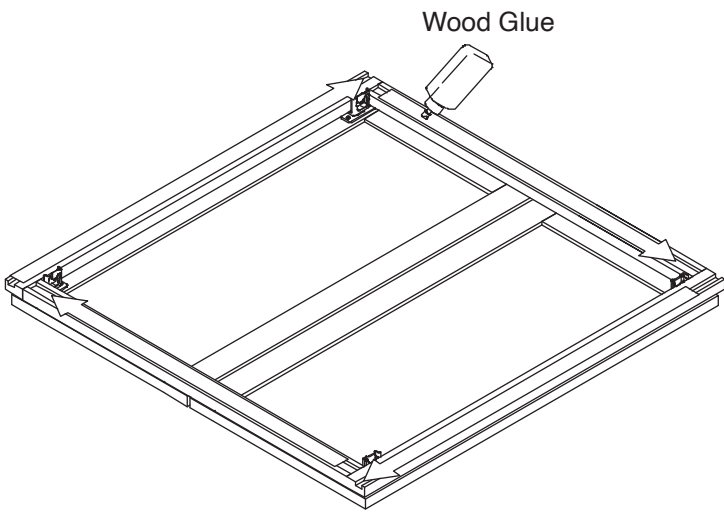


Eye Wear

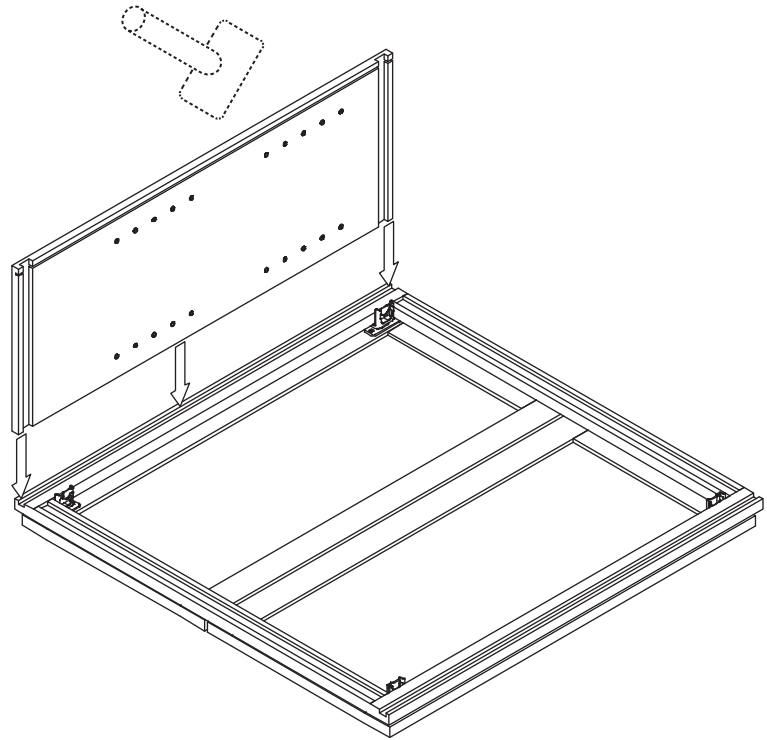


Gloves

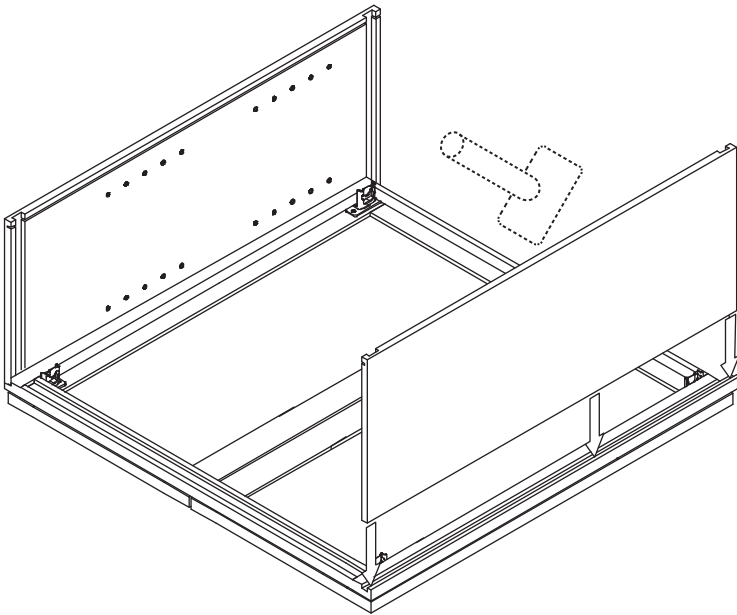
Step 1:



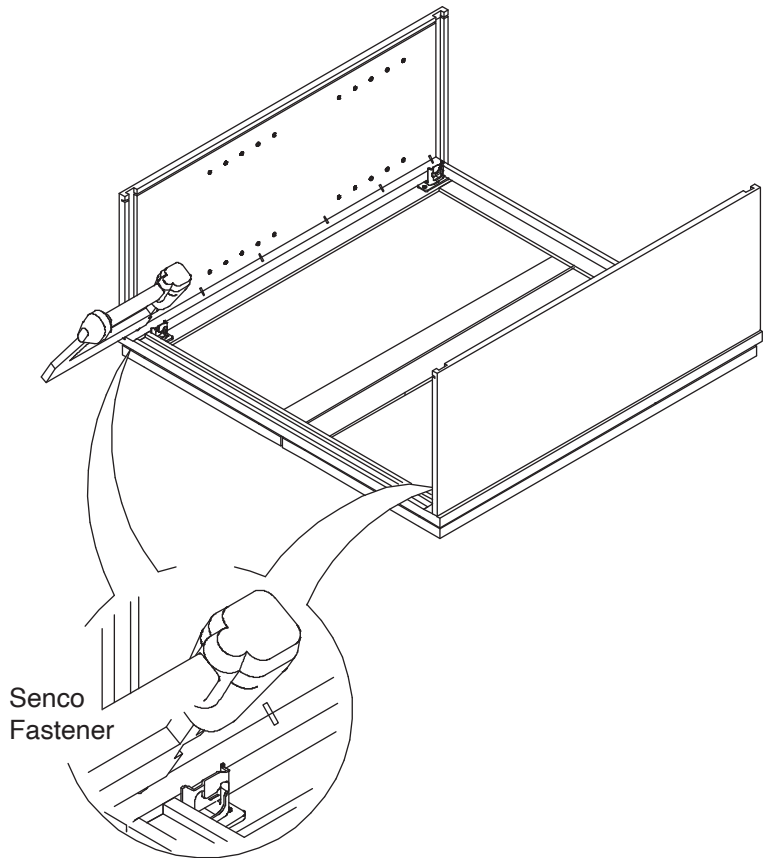
Step 2:



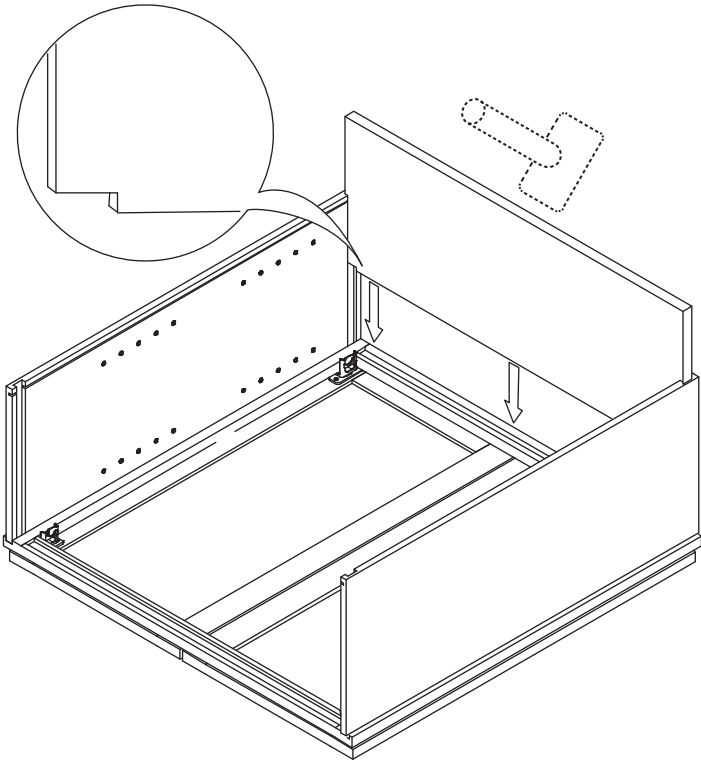
Step 3:



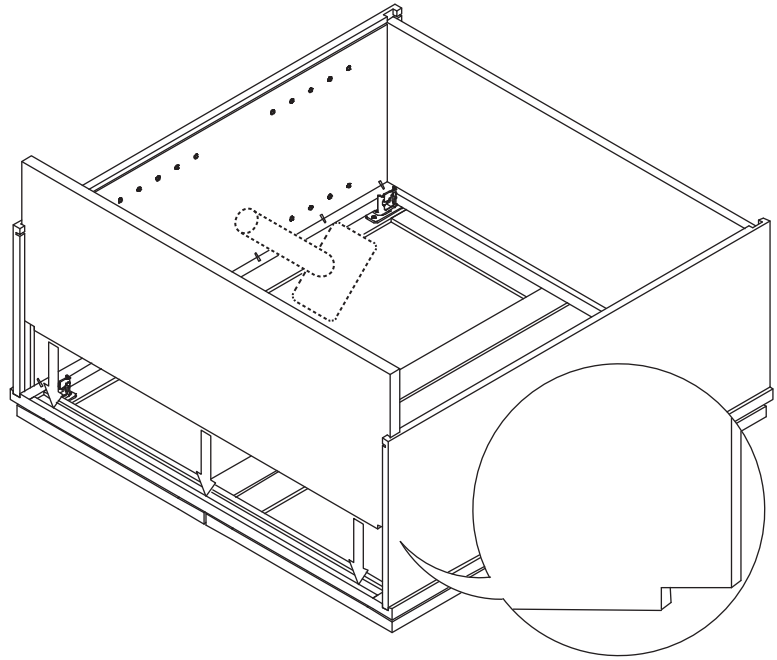
Step 4:



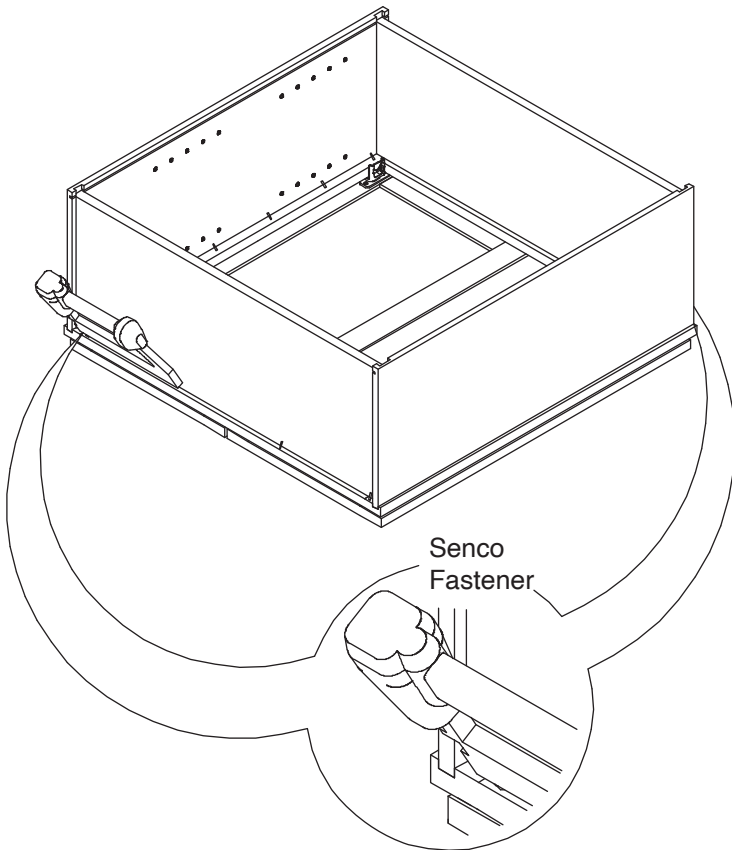
Step 5:



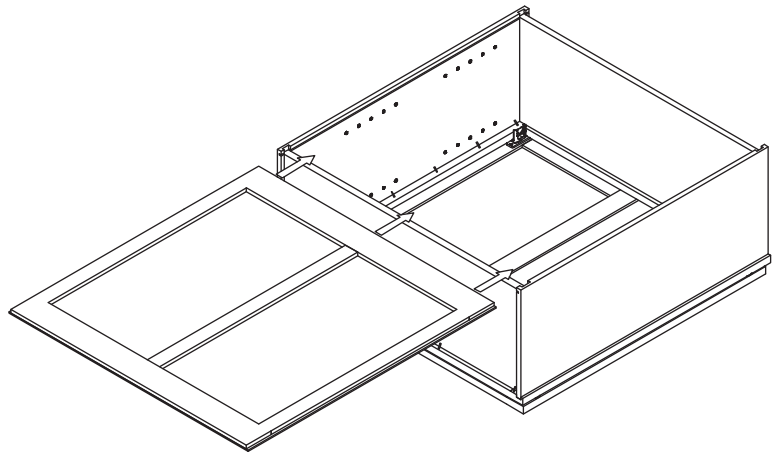
Step 6:



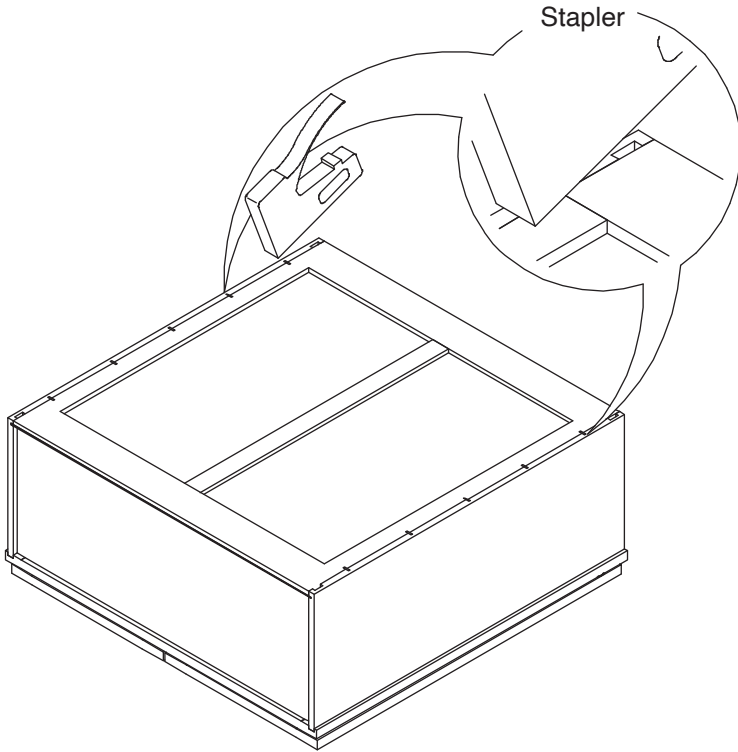
Step 7:



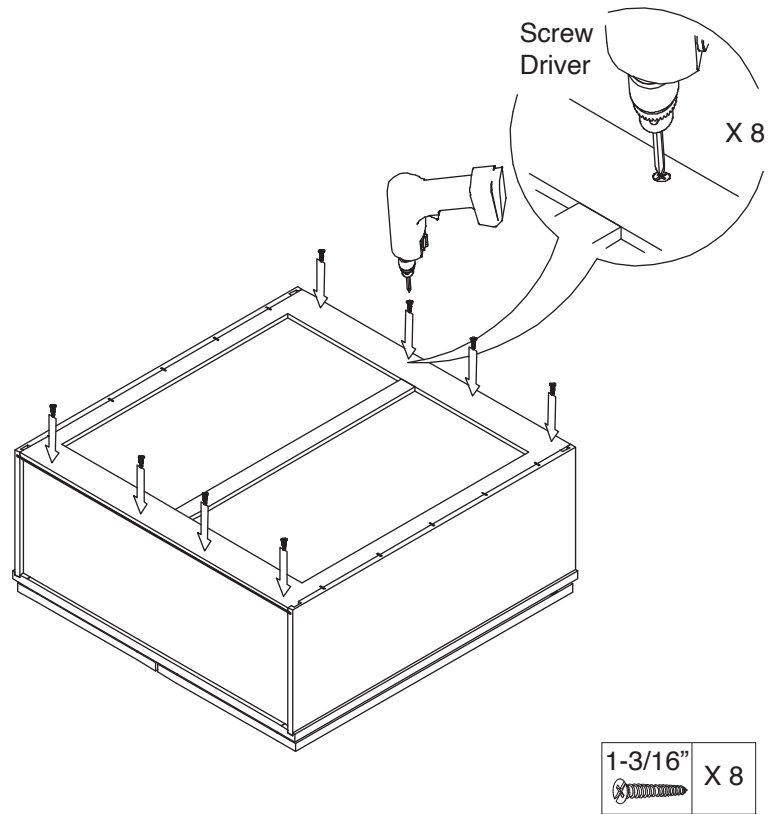
Step 8:



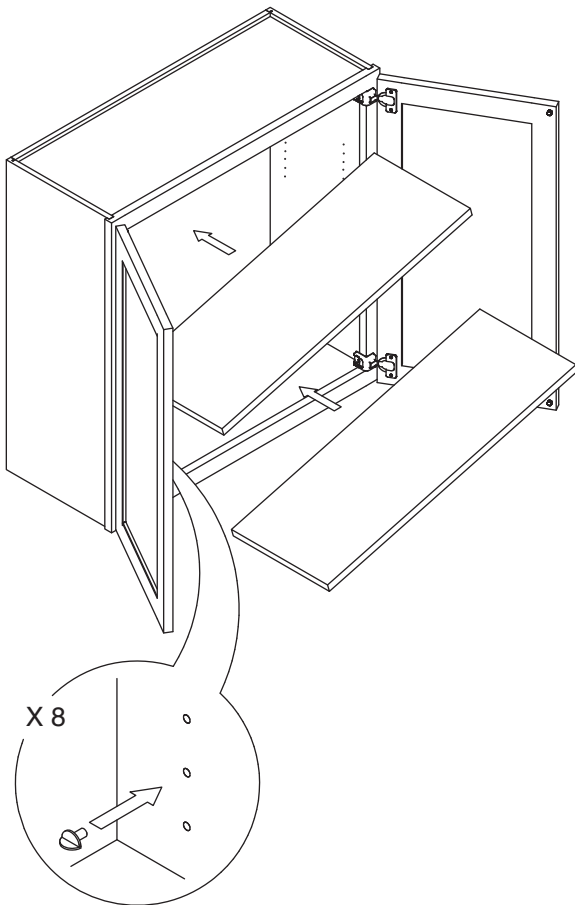
Step 9:



Step 10:



Step 11:



Step 12:

