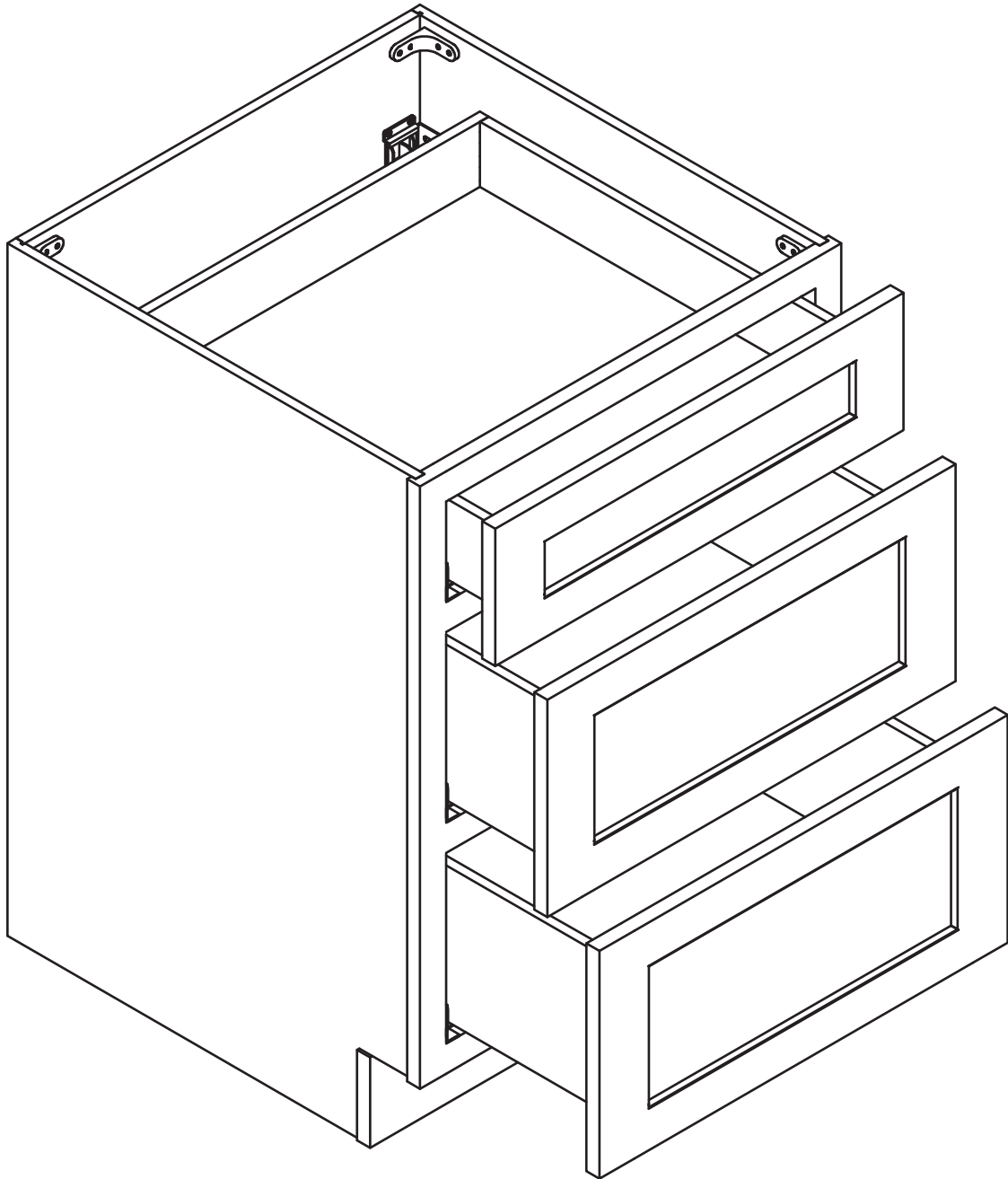


Assembly Instruction

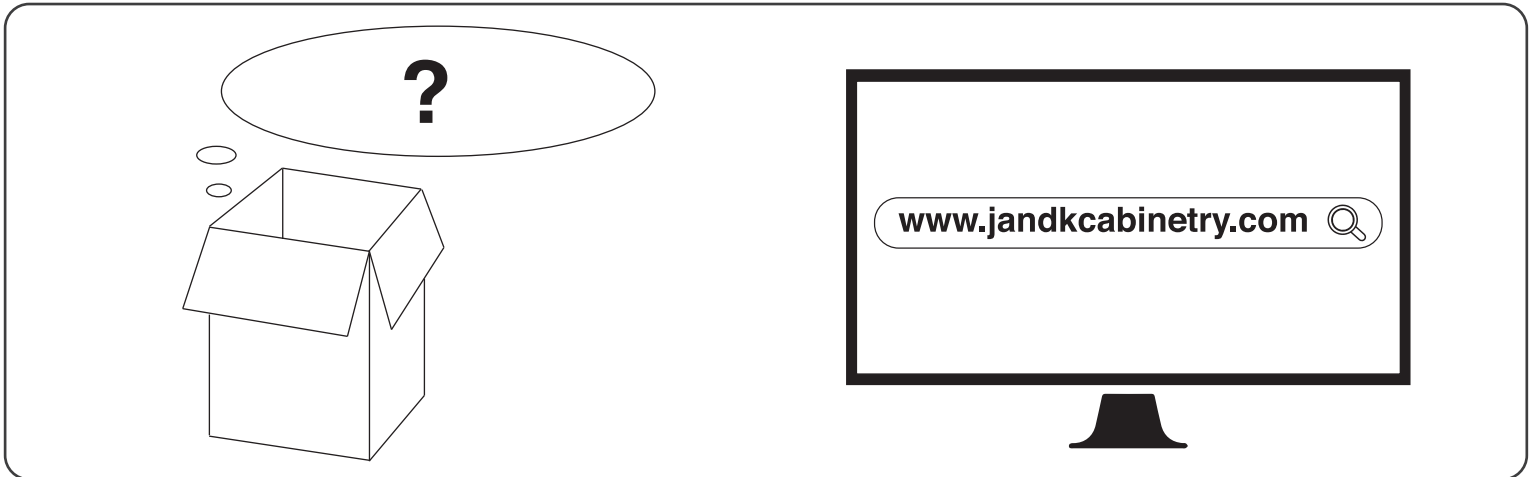
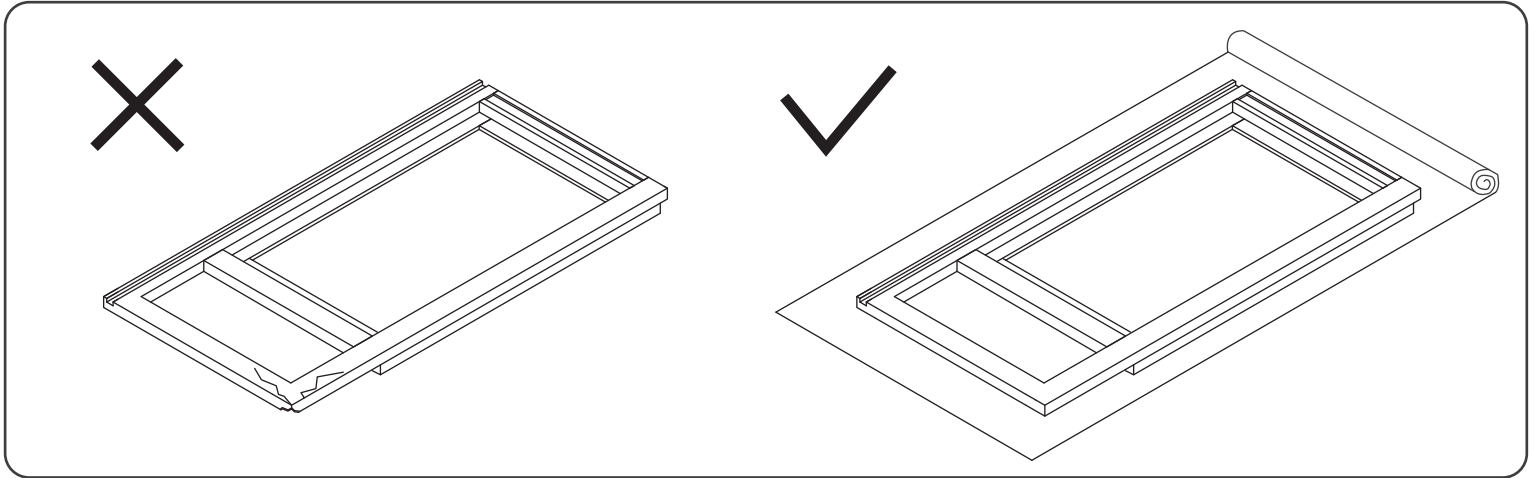
2020 Edition



Base Cabinet With 3 Drawers

Item Code:

DB12-3, DB15-3, DB18-3, DB21-3, DB24-3
DB30-3, DB33-3, DB36-3, DB42-3



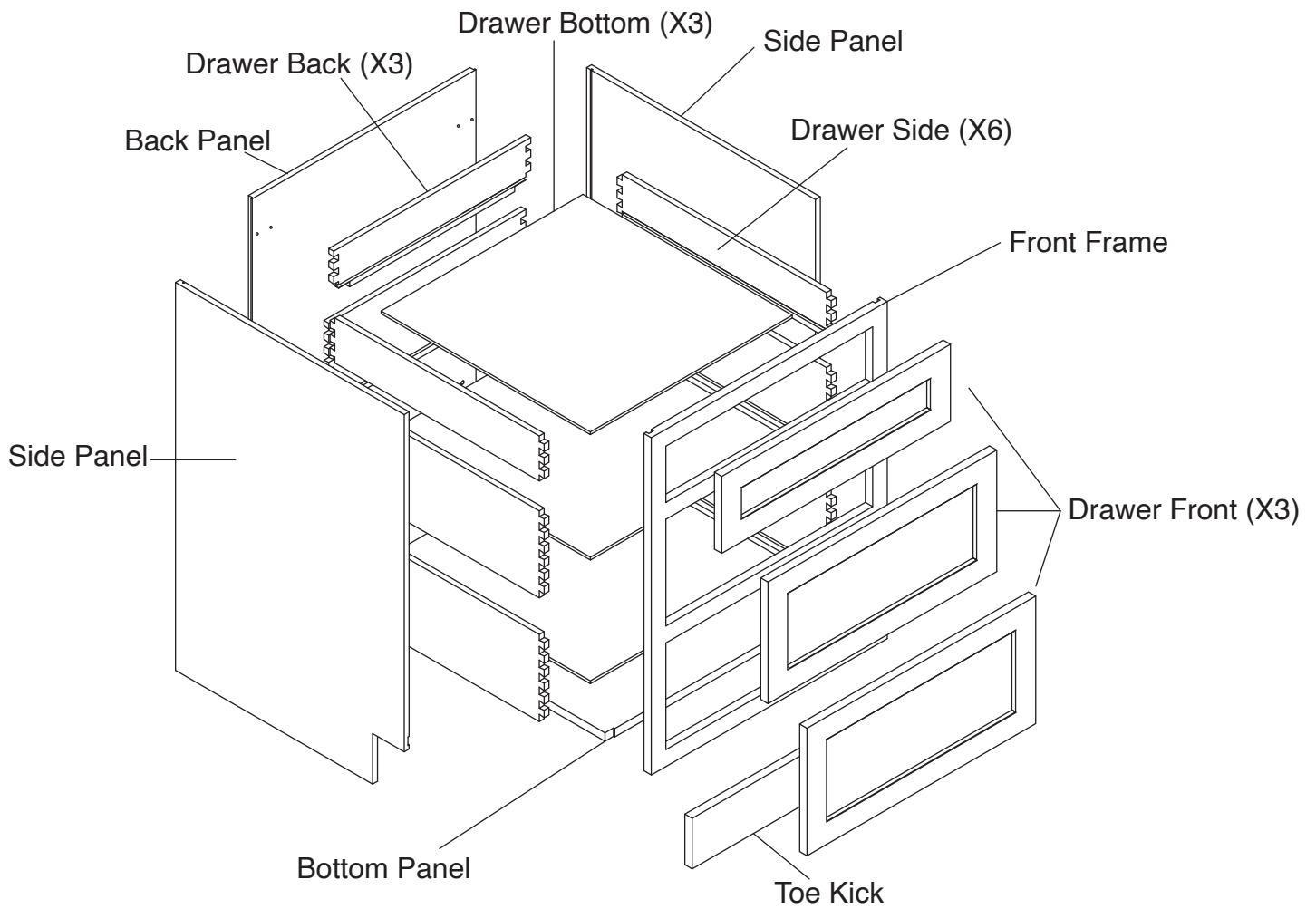
! WARNING:



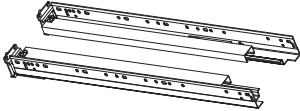
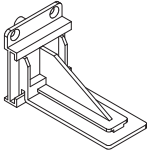
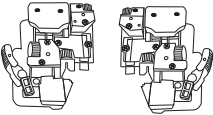
1. Please be careful when opening the box with boxcutter and/or blade.
2. J&K Cabinetry is not responsible for any injuries and/or damages incurred during cabinet assembly.

? SERVICE:

During the installation process, if you encounter any problems, please go to our official website: www.jandkcabinetry.com, check the full version assembly instruction or watch the assembly video online.

Included Items:



	1/2"	19/32"	1-3/16"				
90° Brackets X 4	Screws X 30	Screws X 16	Screws X 3	Door Bumpers X 12	Under Mount Drawer Glide Kits X 3	Glide Supports X 6	Glide Locking Kits X 3

Recommended Tools:



Wood Glue



Screw Driver



Rubber Mallet



Compressor



Nail Gun



Stapler



Senco Fastener

Safety Tools:

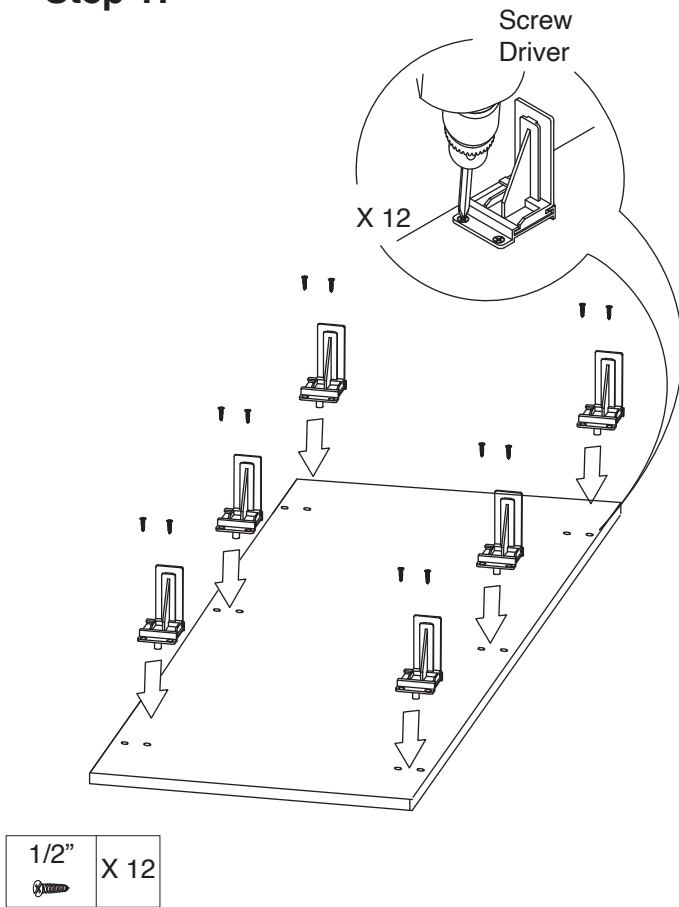


Eye Wear

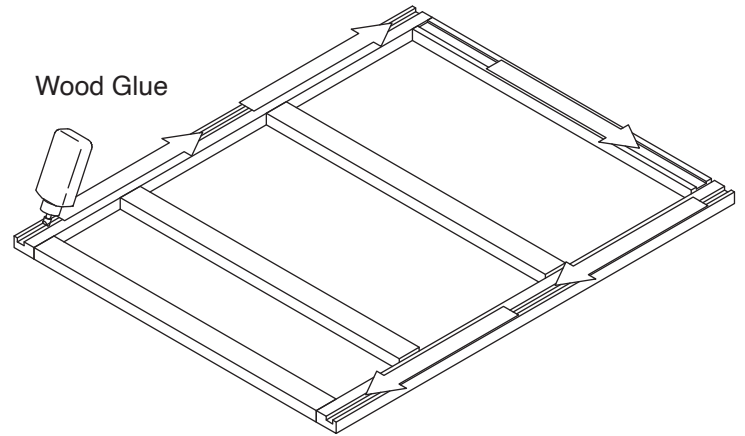


Gloves

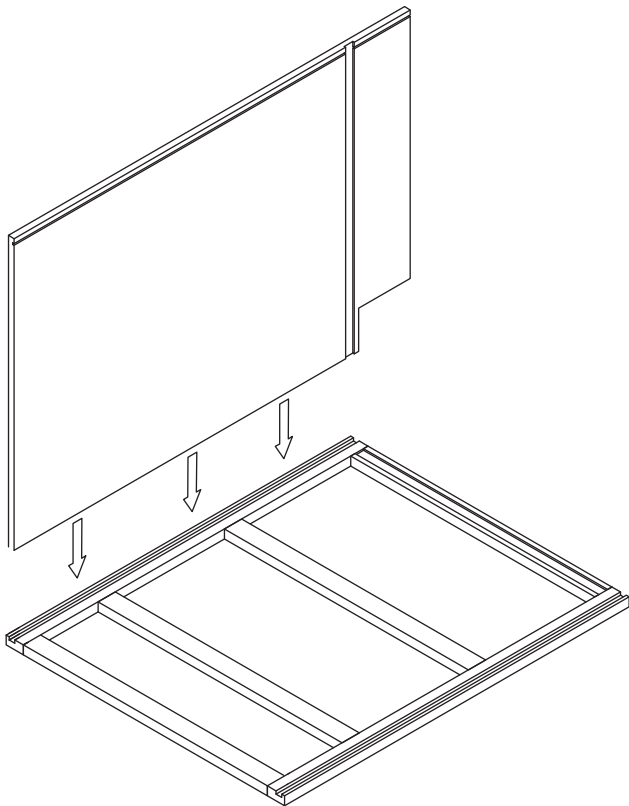
Step 1:



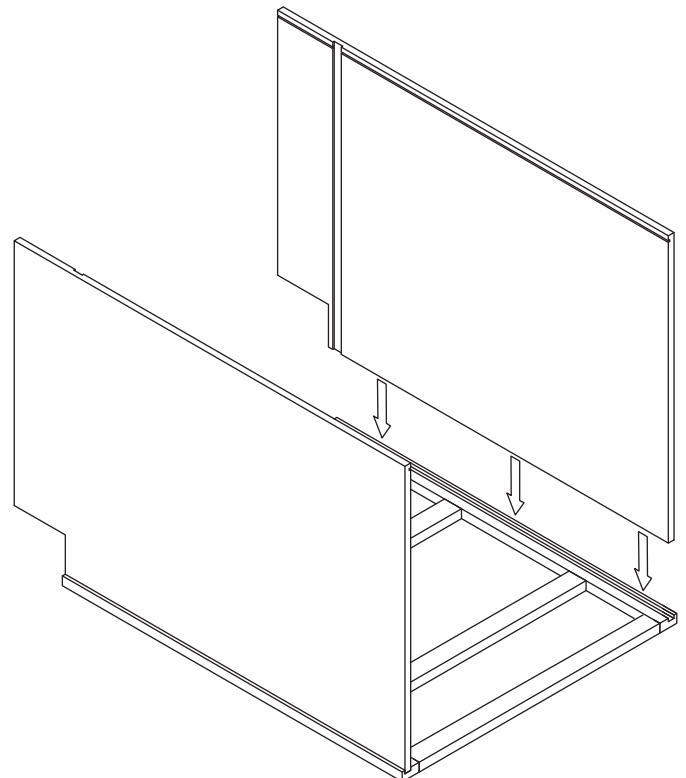
Step 2:



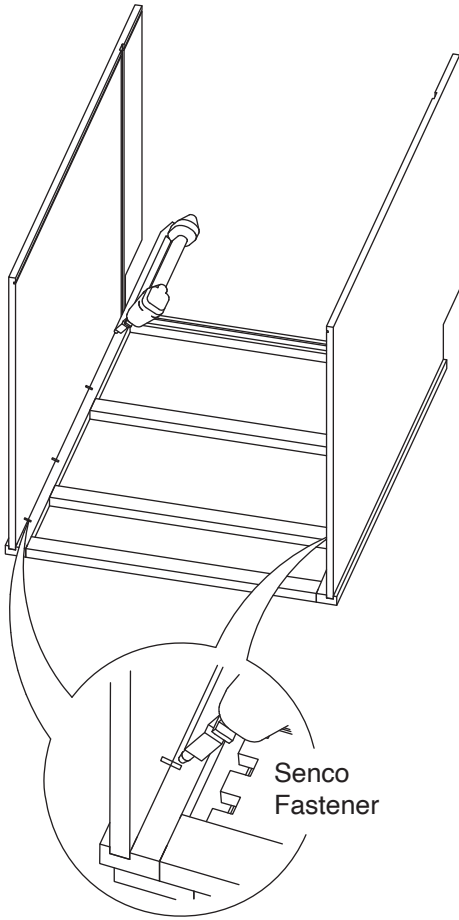
Step 3:



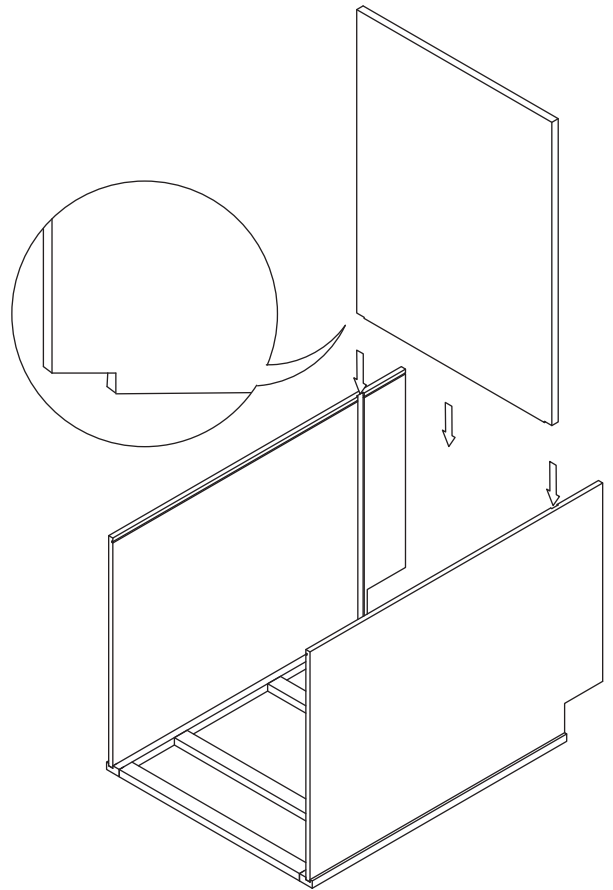
Step 4:



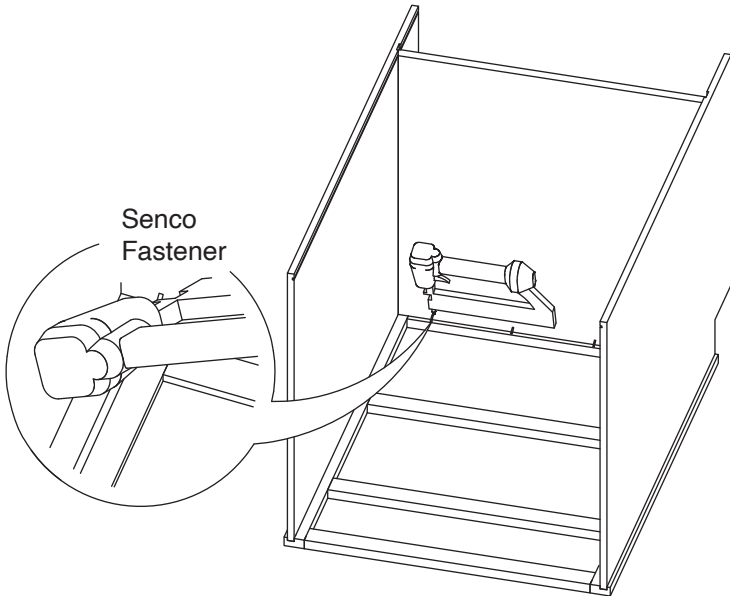
Step 5:



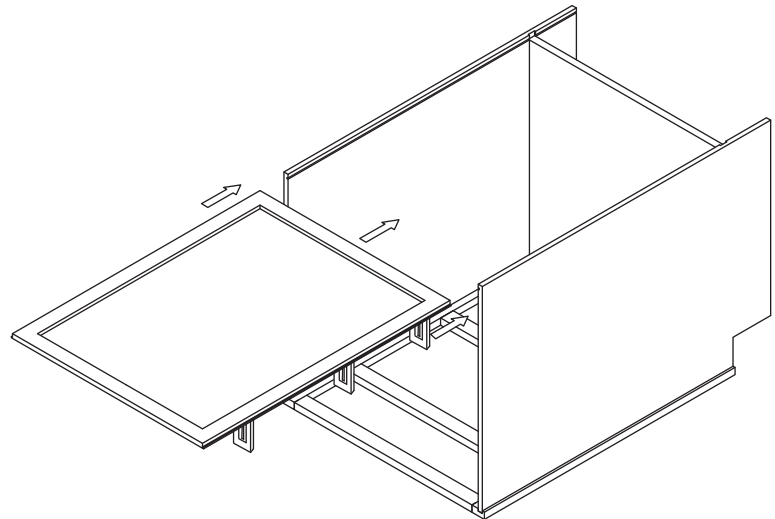
Step 6:



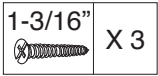
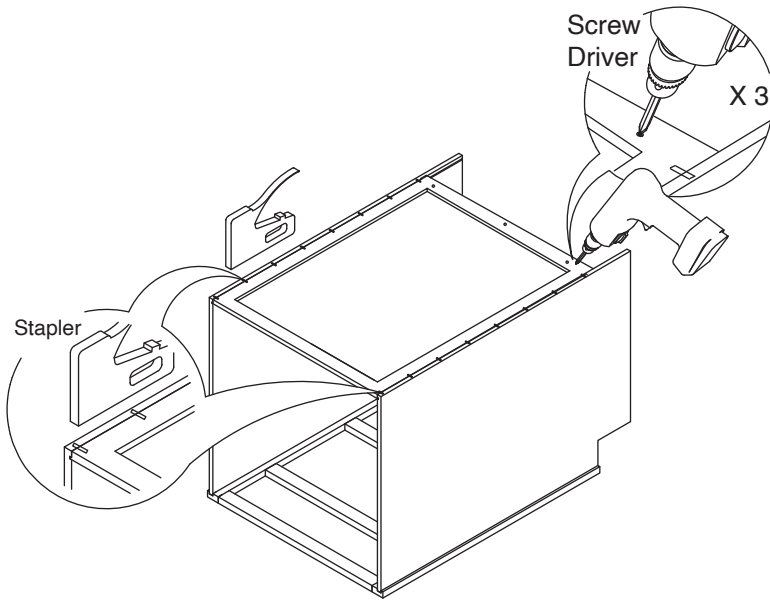
Step 7:



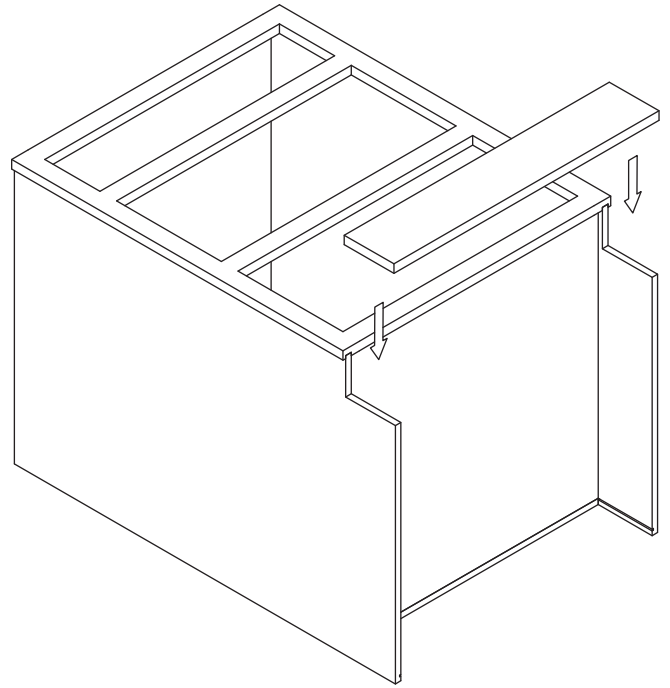
Step 8:



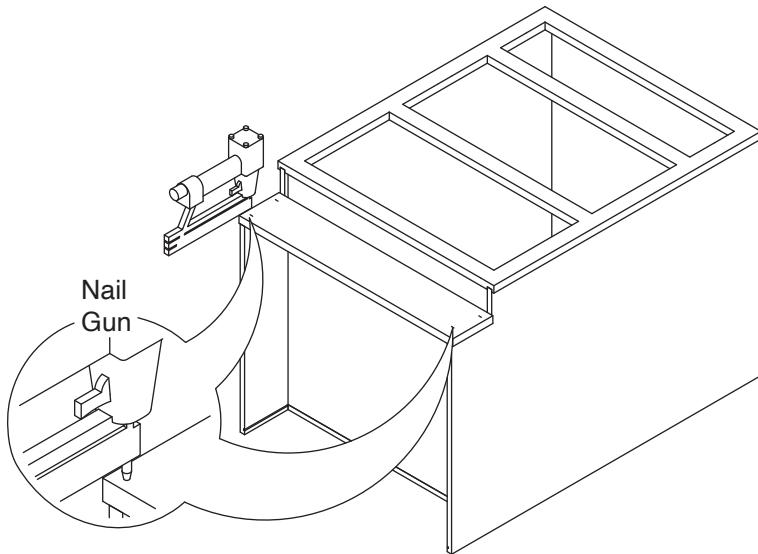
Step 9:



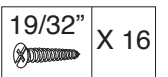
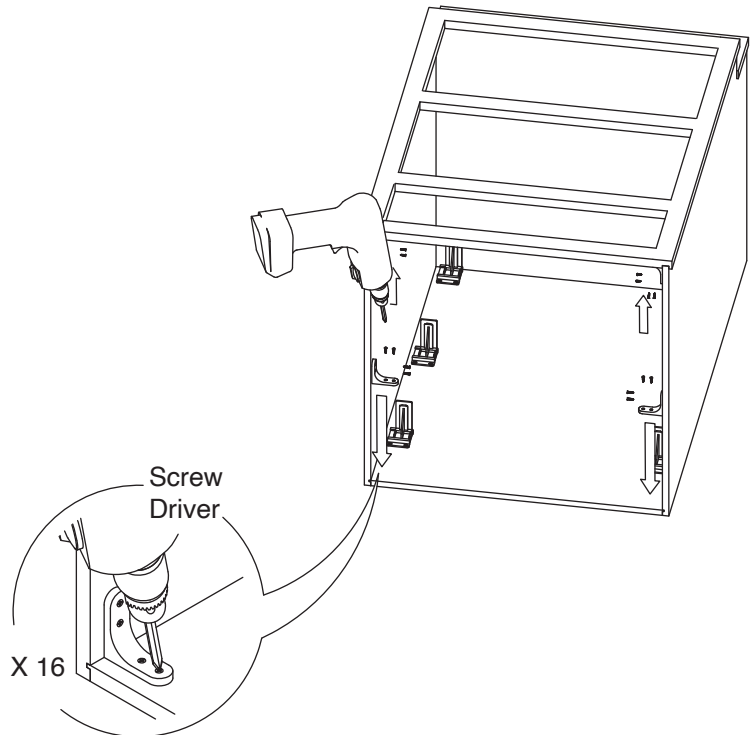
Step 10:



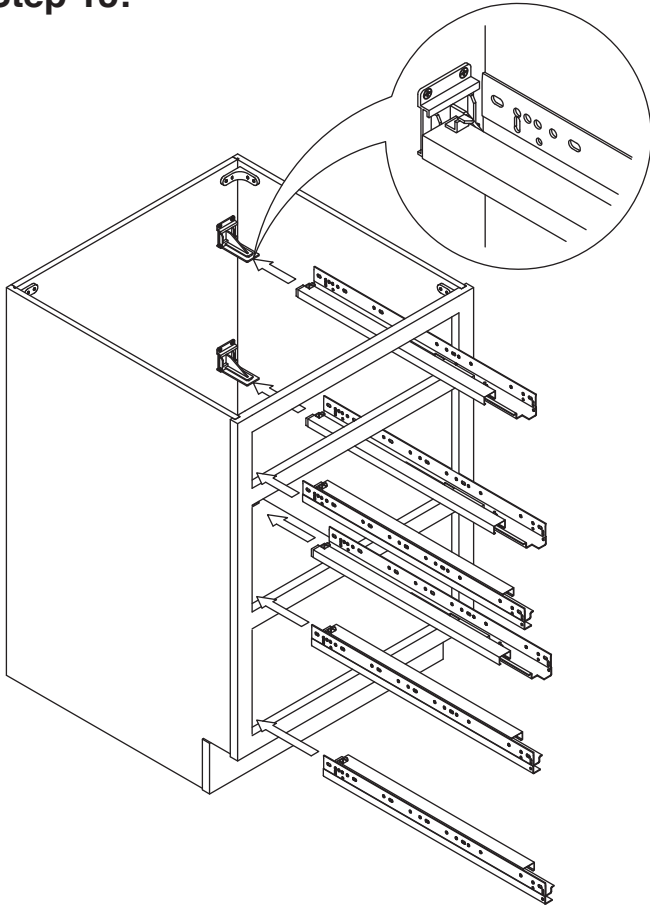
Step 11:



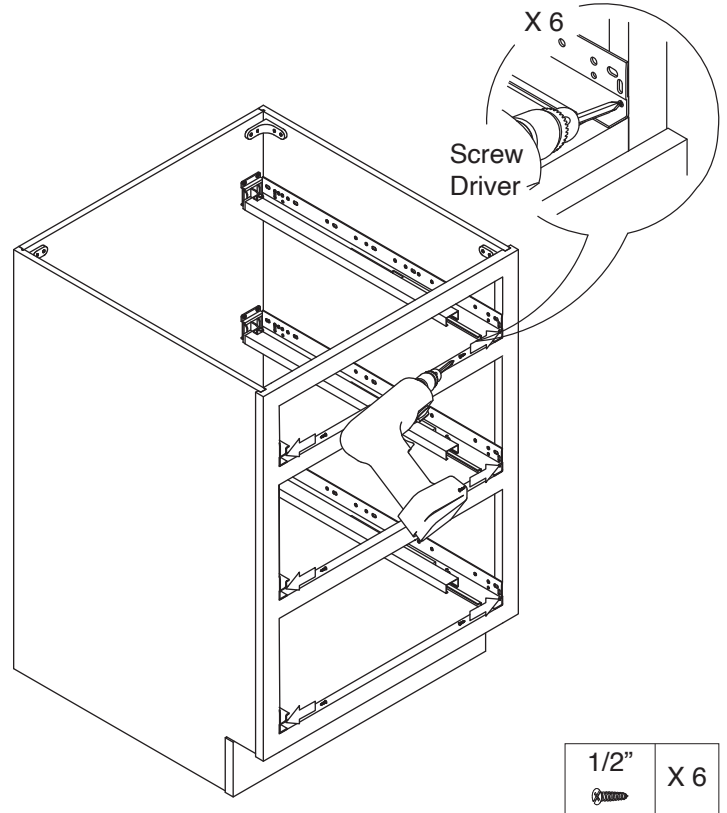
Step 12:



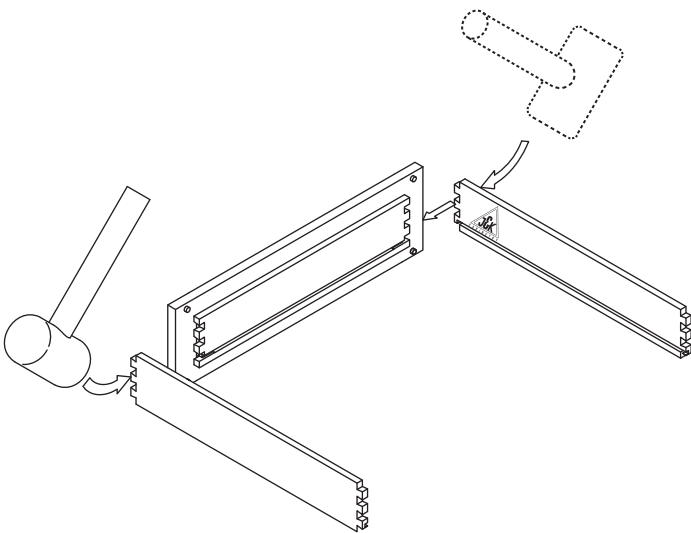
Step 13:



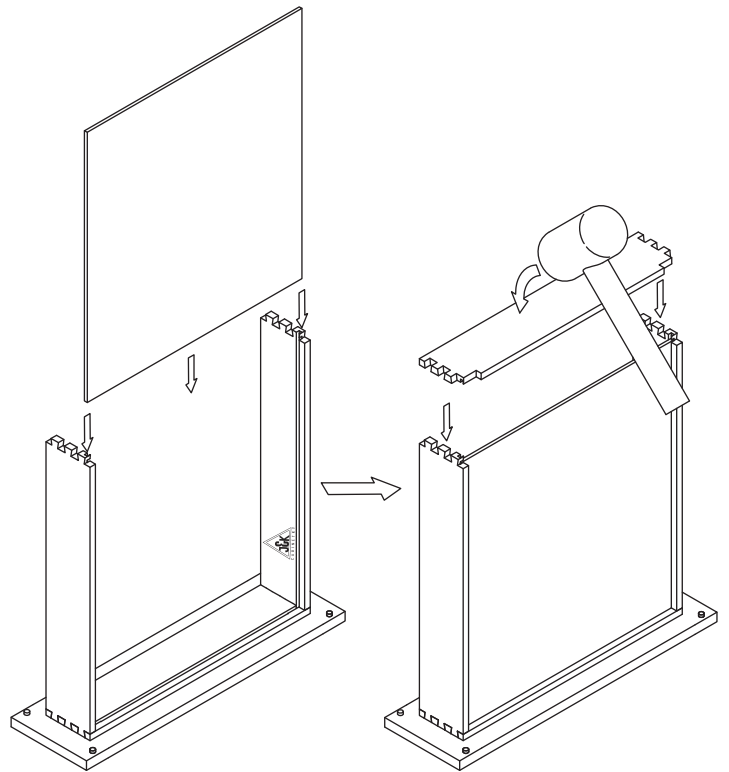
Step 14:



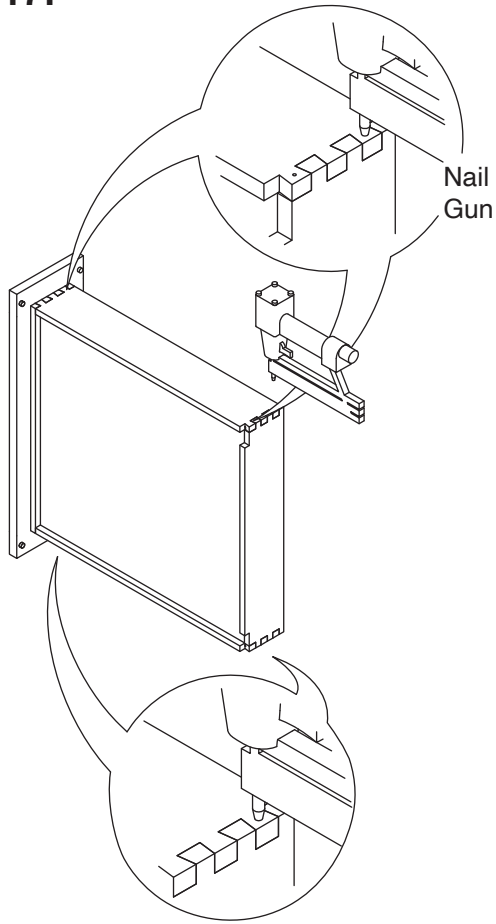
Step 15:



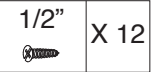
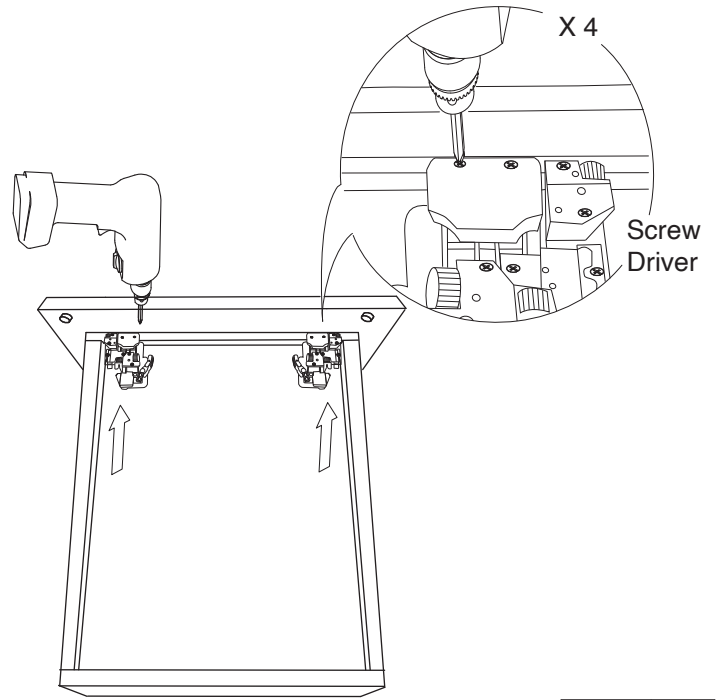
Step 16:



Step 17:

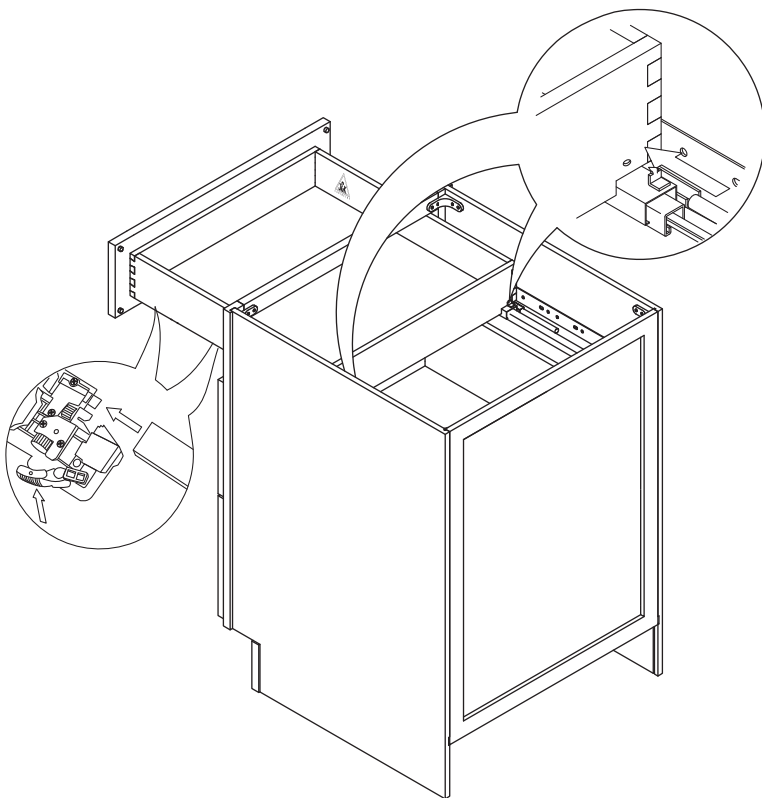


Step 18:



* repeat for other drawer

Step 19:



Step 20:

