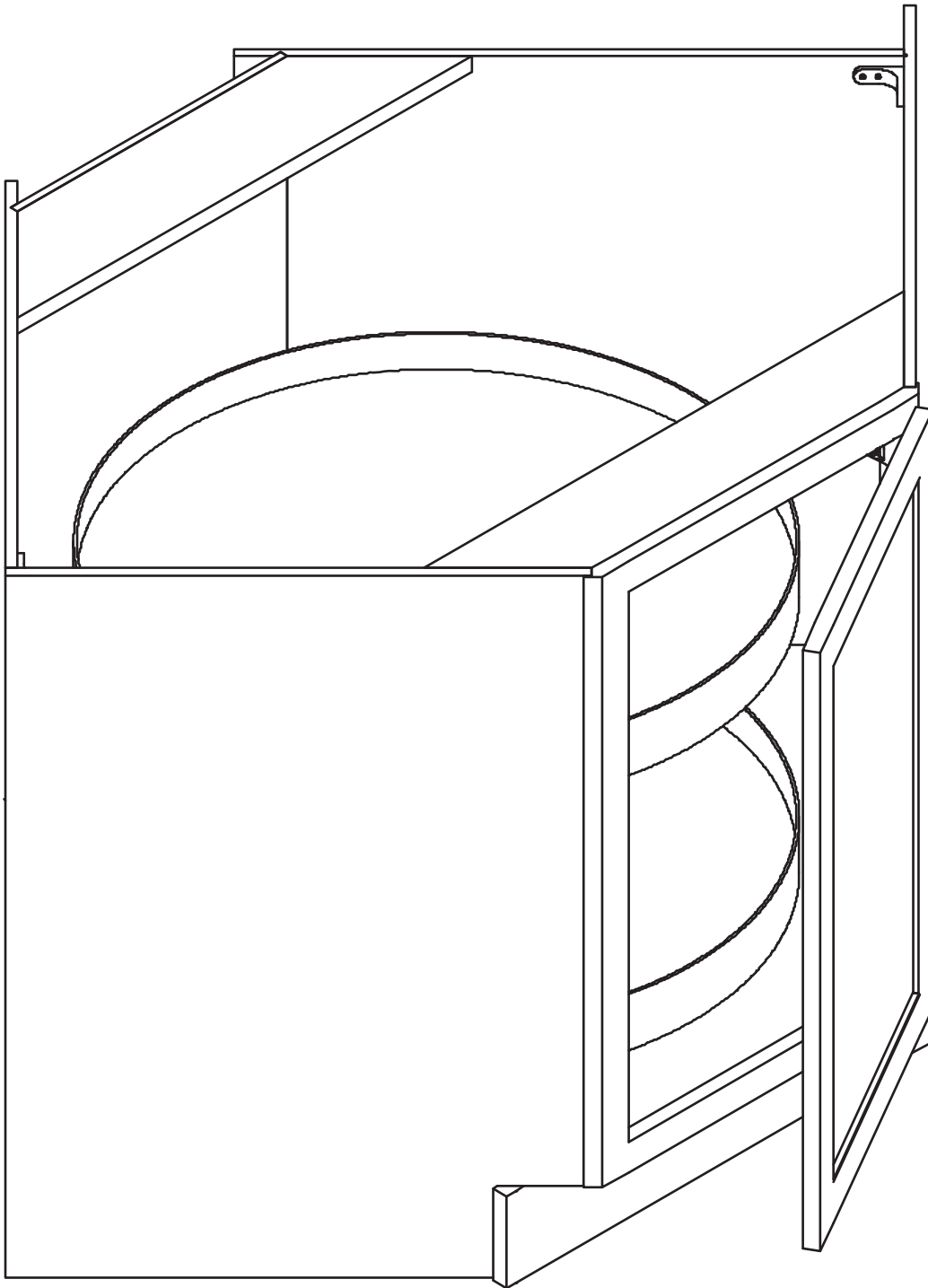


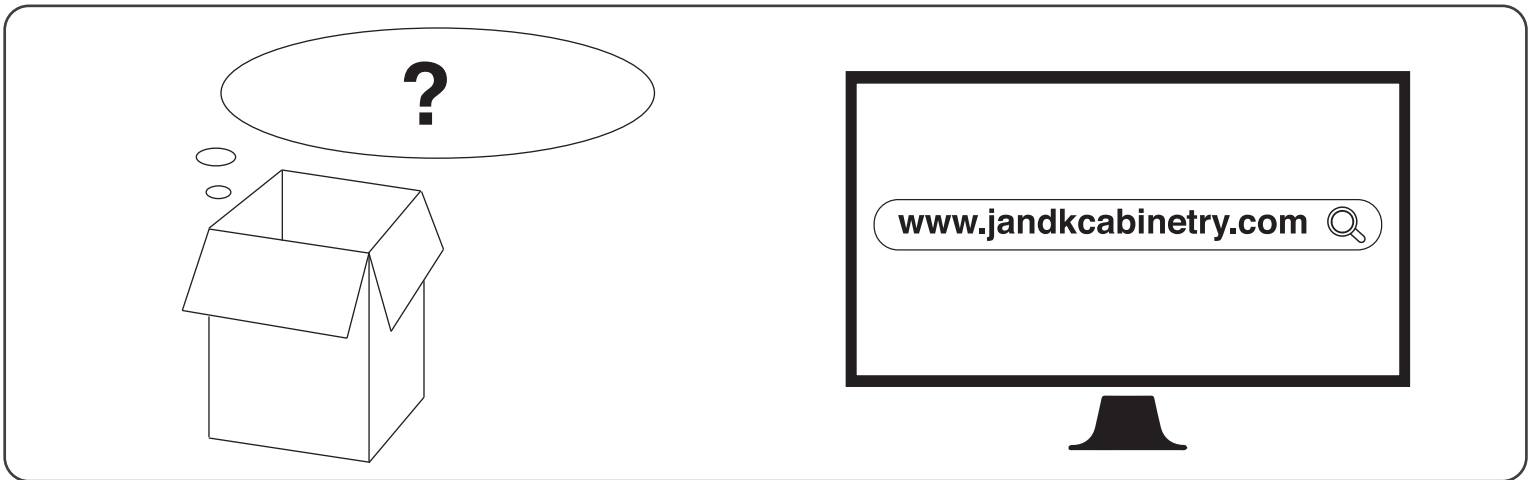
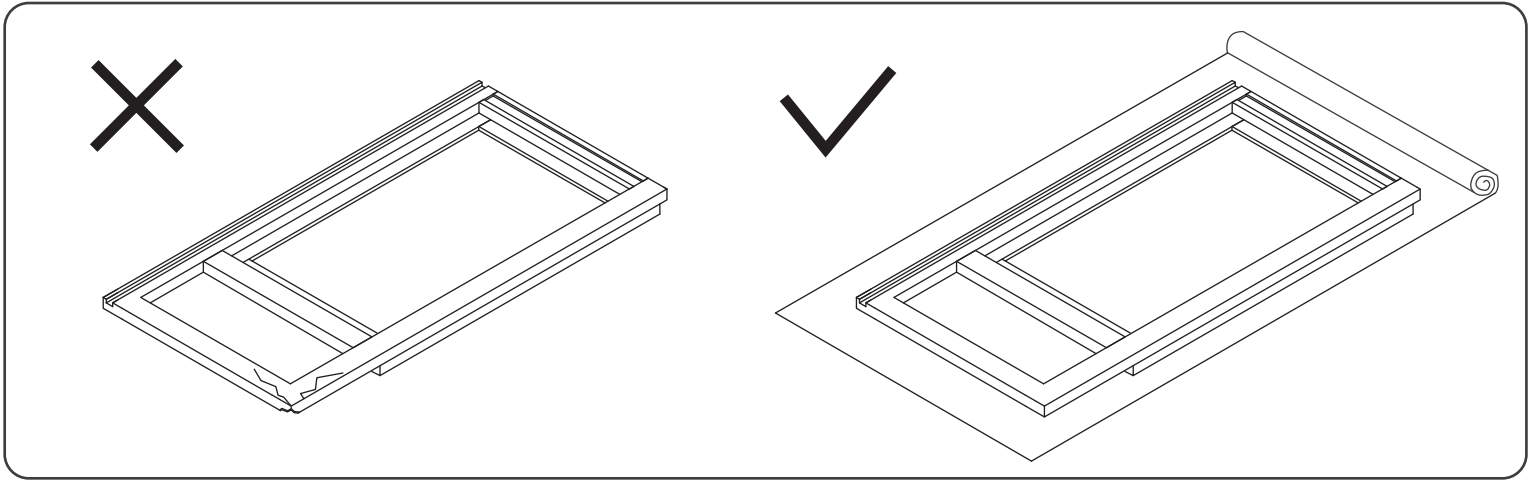
Assembly Instruction

2020 Edition



Base Diagonal Corner Cabinet

Item Code:
CBD36



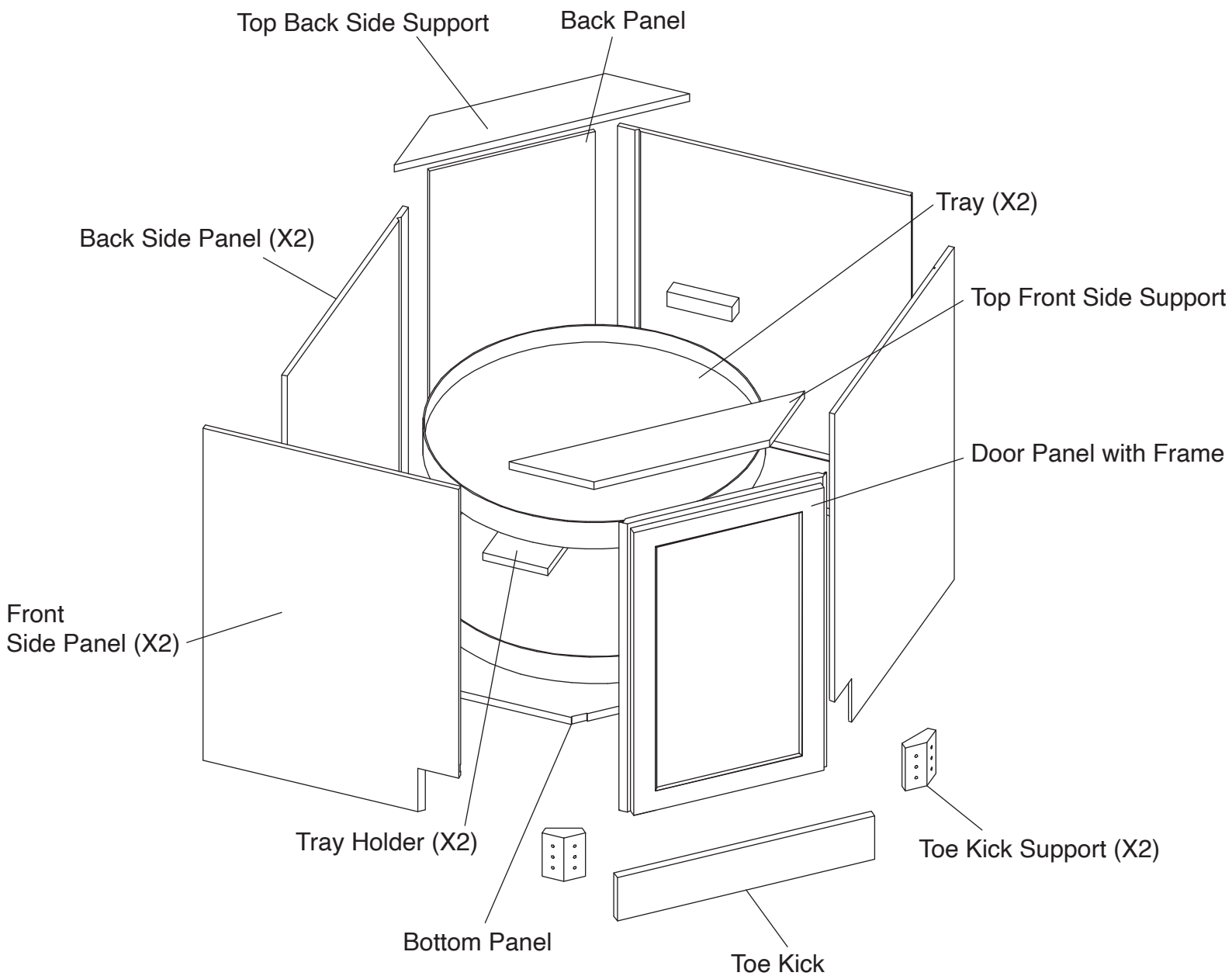
! **WARNING:**

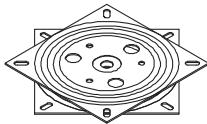



1. Please be careful when opening the box with boxcutter and/or blade.
2. J&K Cabinetry is not responsible for any injuries and/or damages incurred during cabinet assembly.







? **SERVICE:**

During the installation process, if you encounter any problems, please go to our official website: www.jandkcabinetry.com, check the full version assembly instruction or watch the assembly video online.

Included Items:



			
Flat Swivels X 2	135° Brackets X 4	90° Brackets X 2	Door Bumpers X 2

1/2" 	1/2" 	19/32" 	1" 	1-3/16" 	1-9/16" 
Screws X 8	Screws X 8	Screws X 24	Screws X 8	Screws X 11	Screws X 8

Recommended Tools:



Wood Glue



Screw Driver



Rubber Mallet



Compressor



Nail Gun



Stapler



Senco Fastener

Safety Tools:

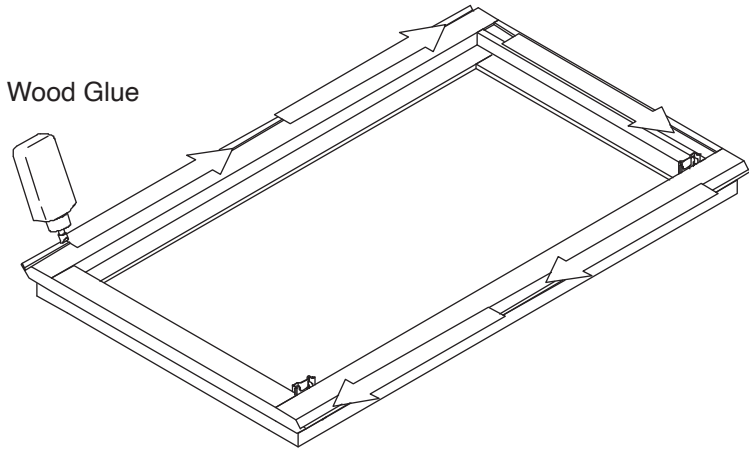


Eye Wear

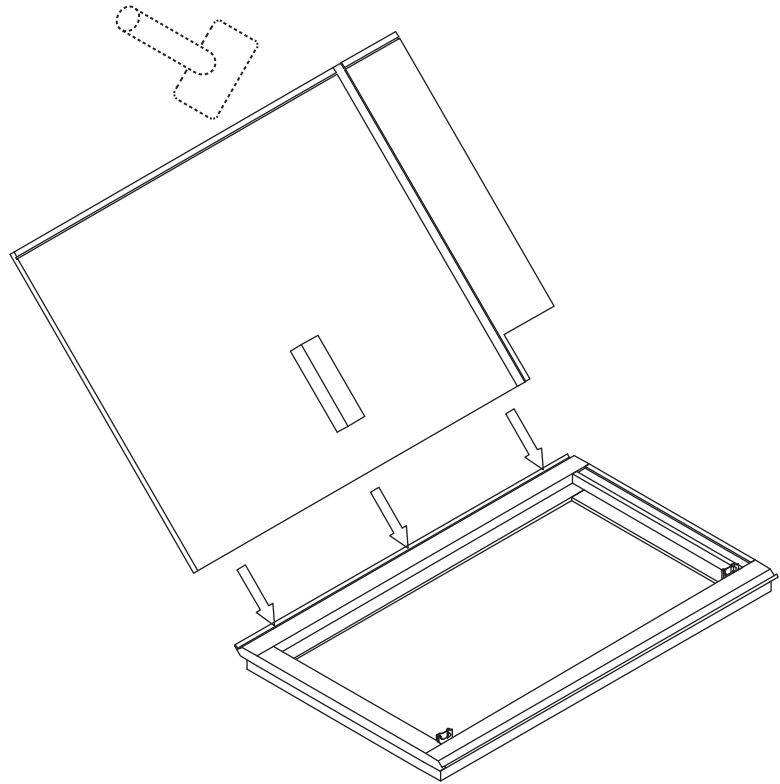


Gloves

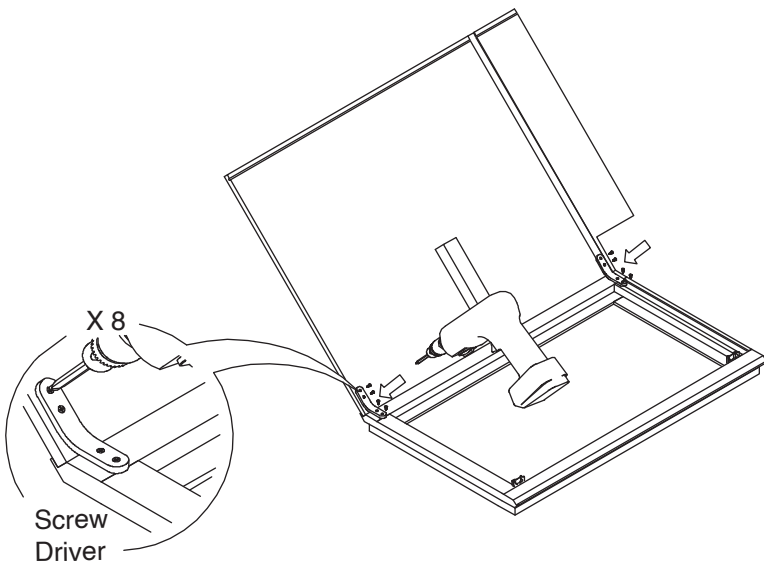
Step 1:



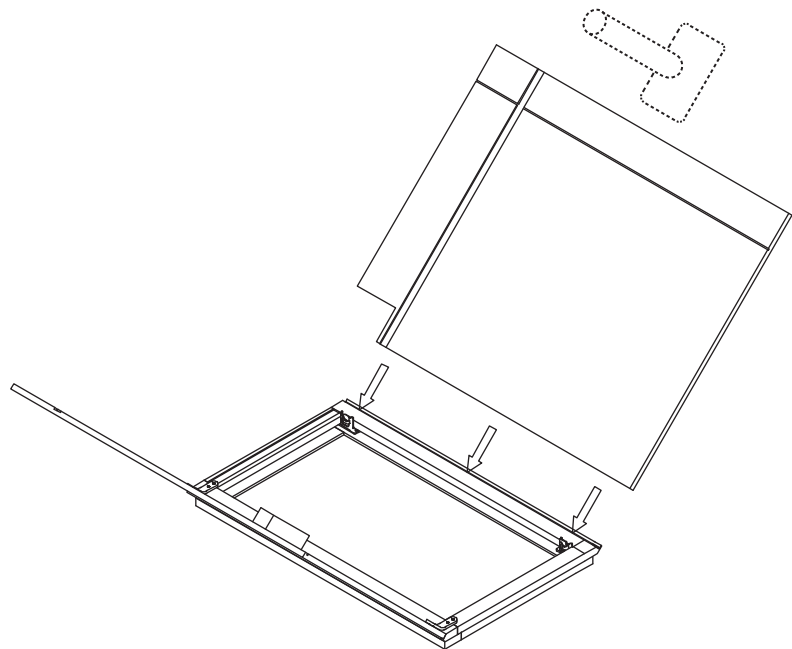
Step 2:




Step 3:



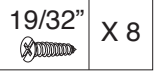
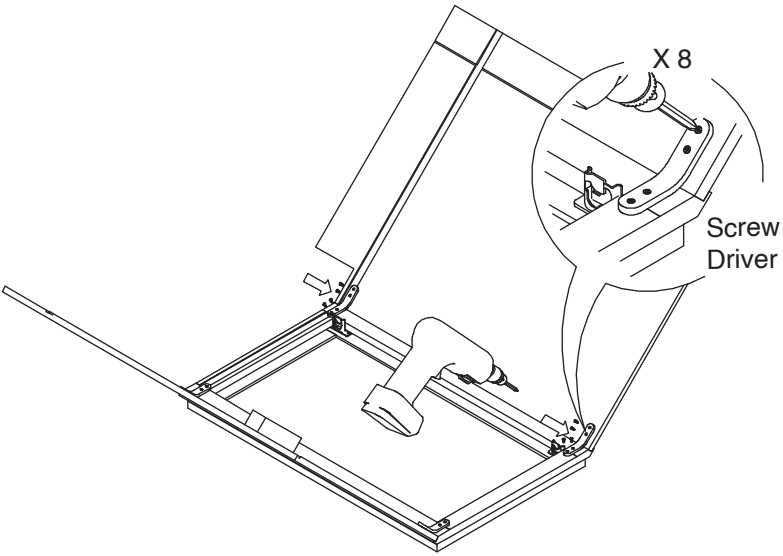
Step 4:



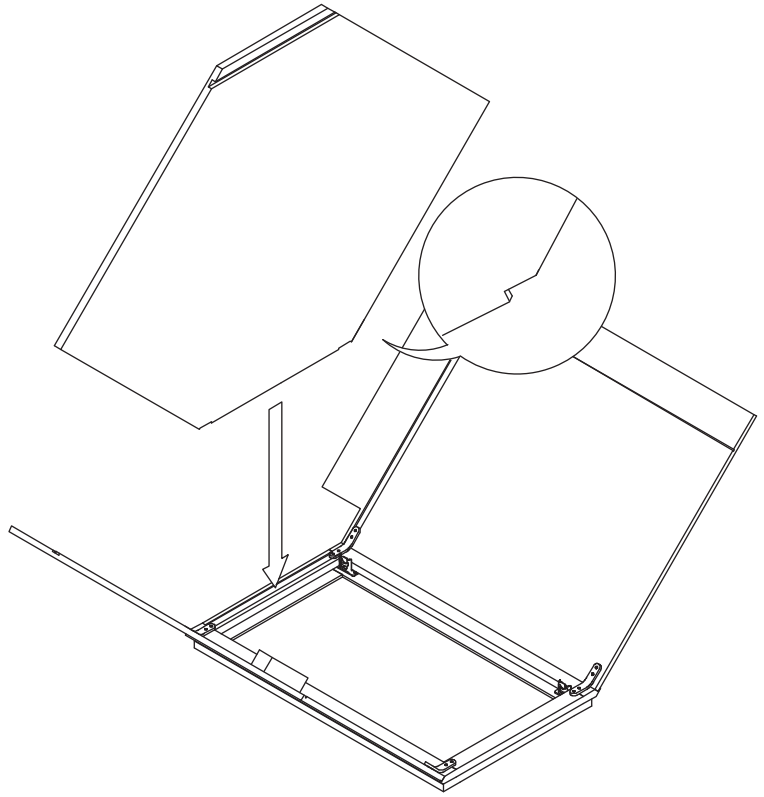
19/32" X 8



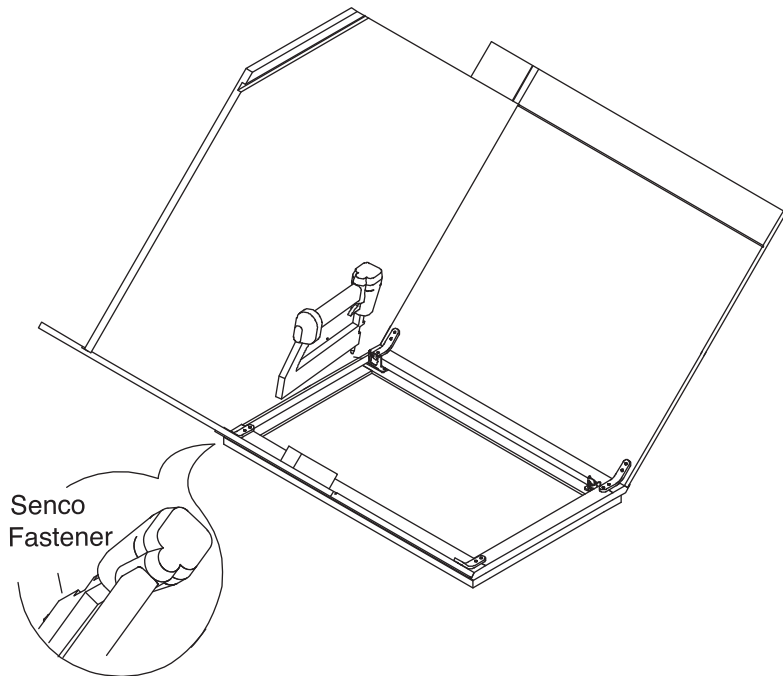
Step 5:



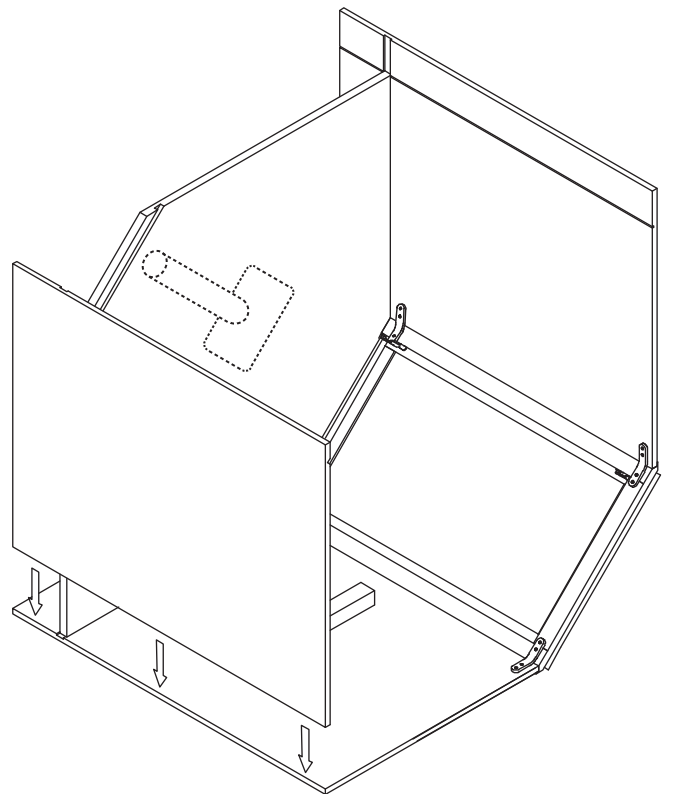
Step 6:



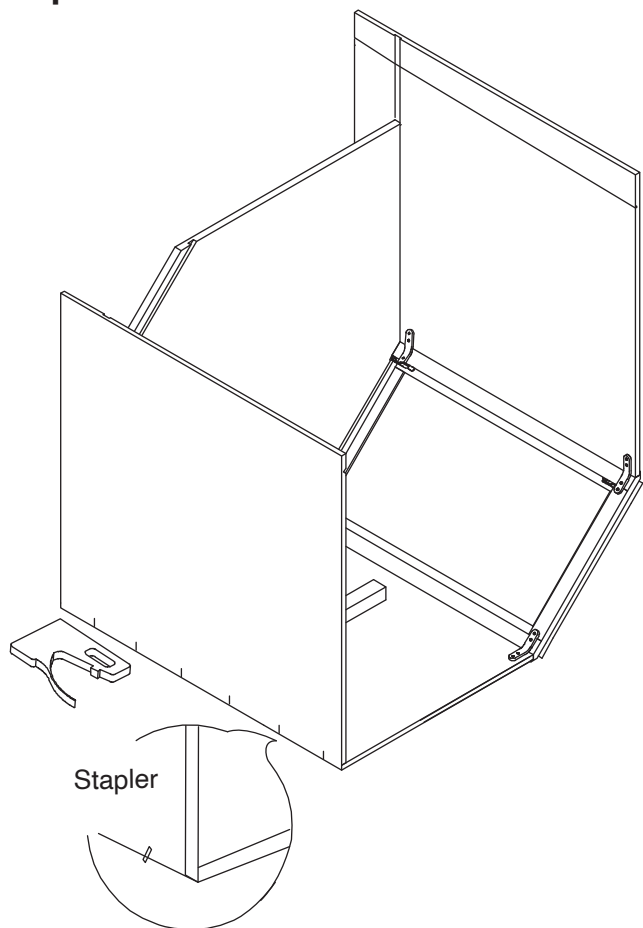
Step 7:



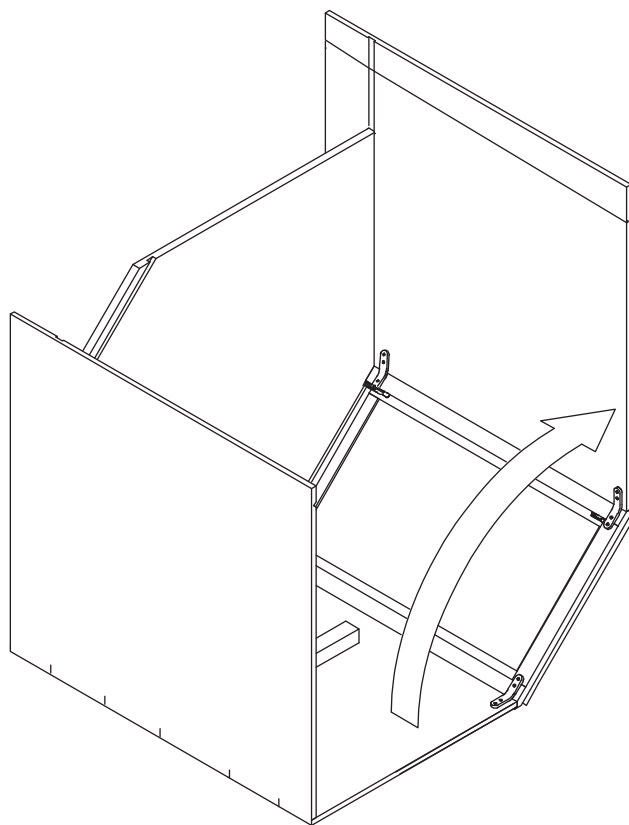
Step 8:



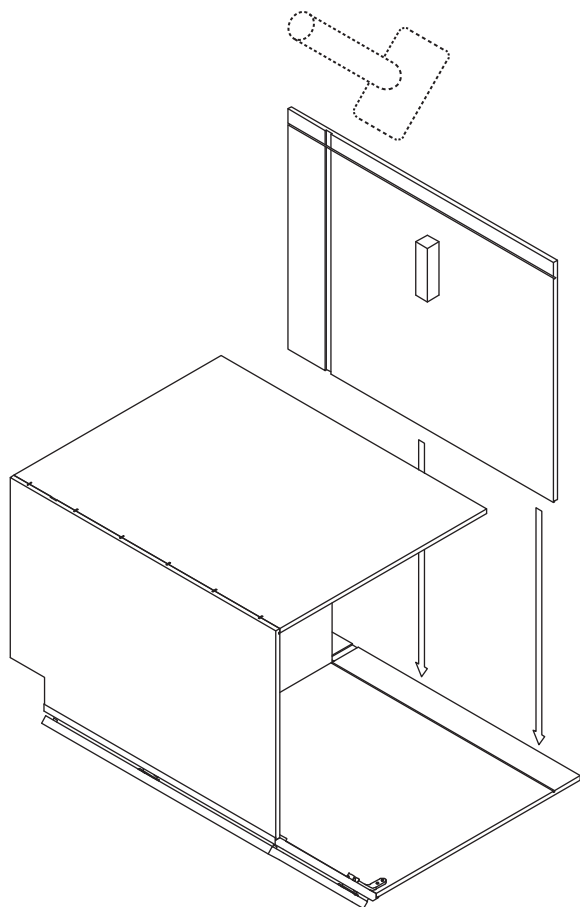
Step 9:



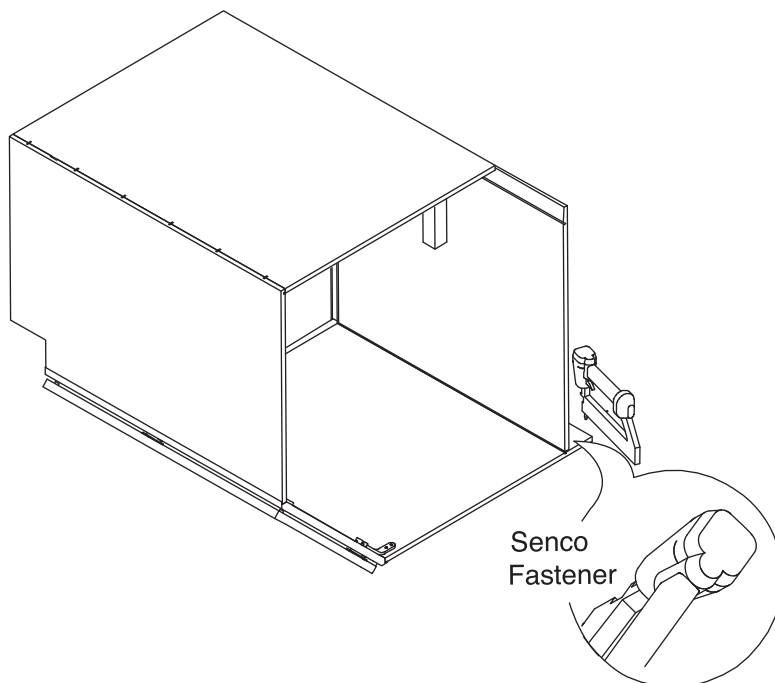
Step 10:



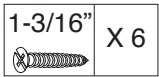
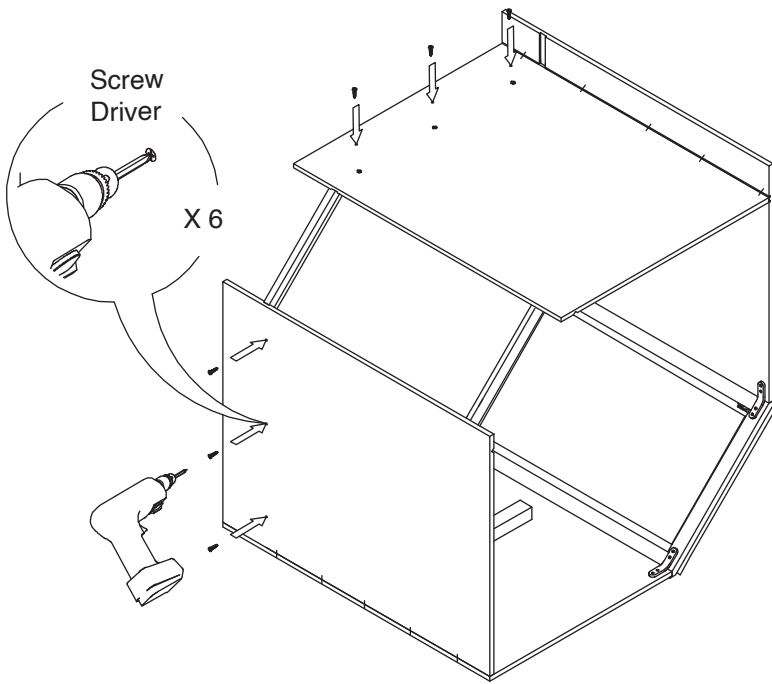
Step 11:



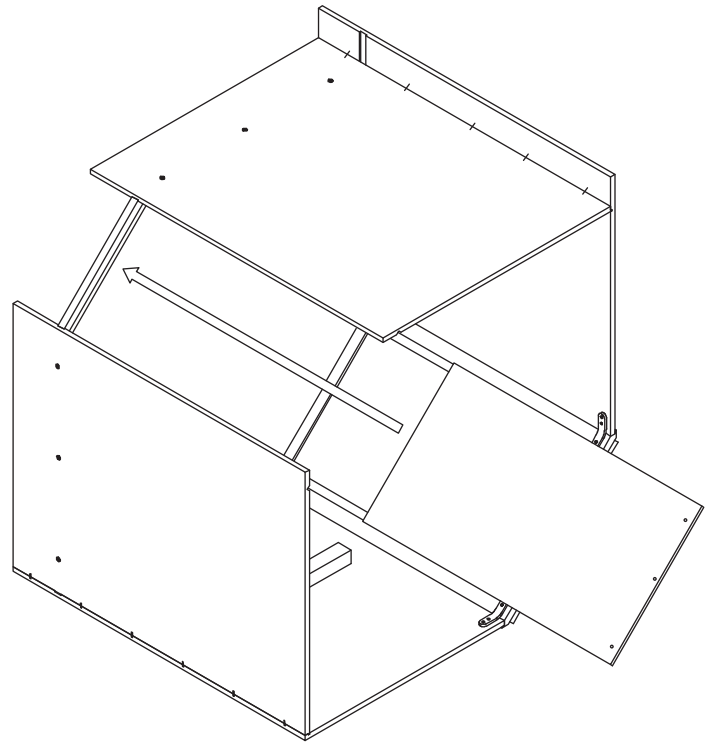
Step 12:



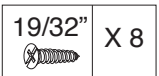
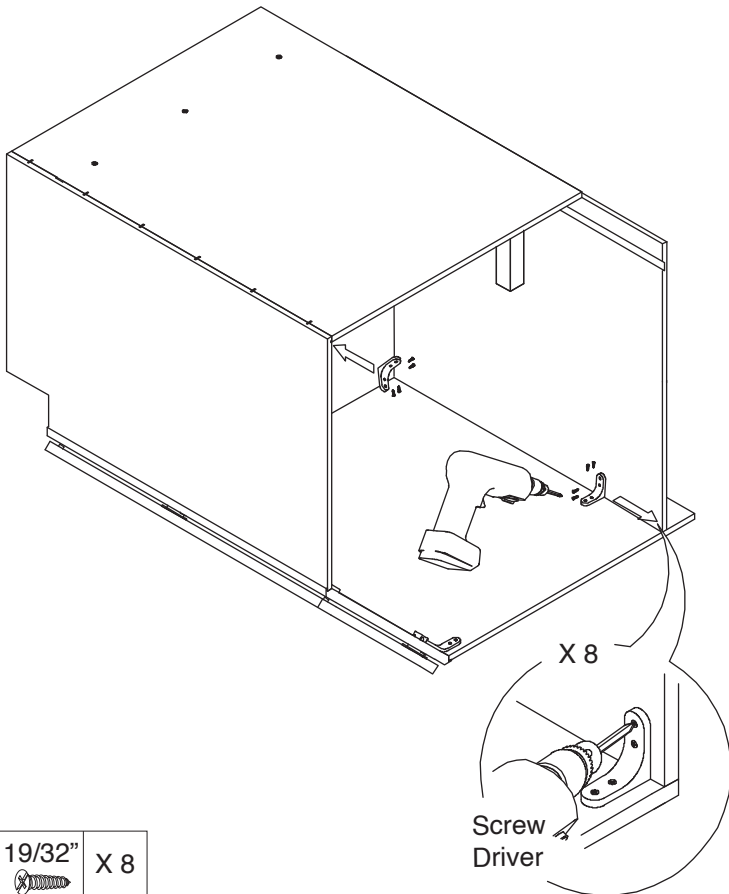
Step 13:



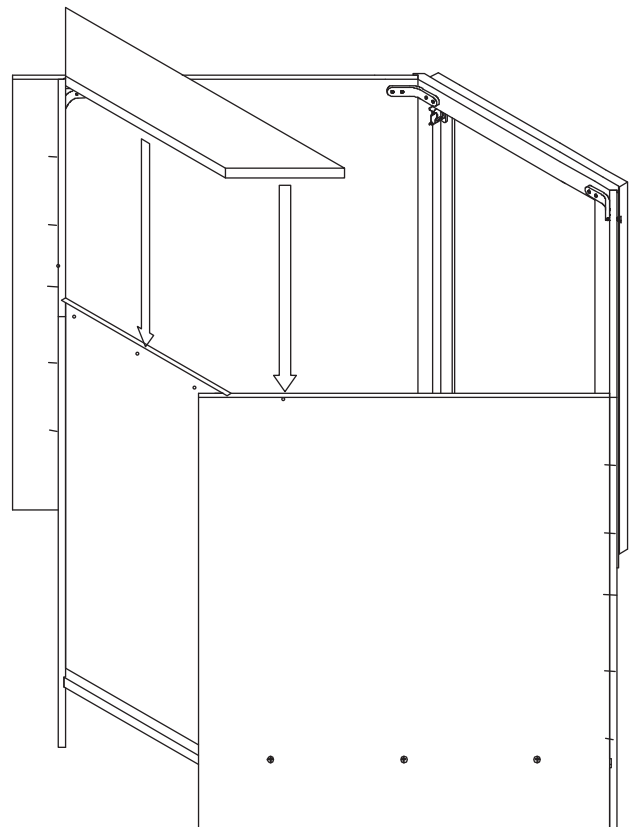
Step 14:



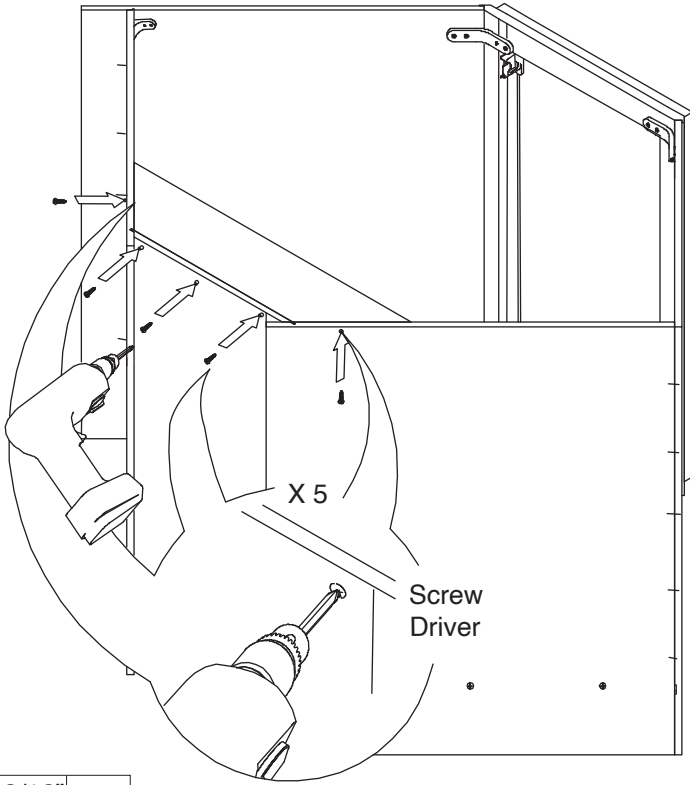
Step 15:



Step 16:

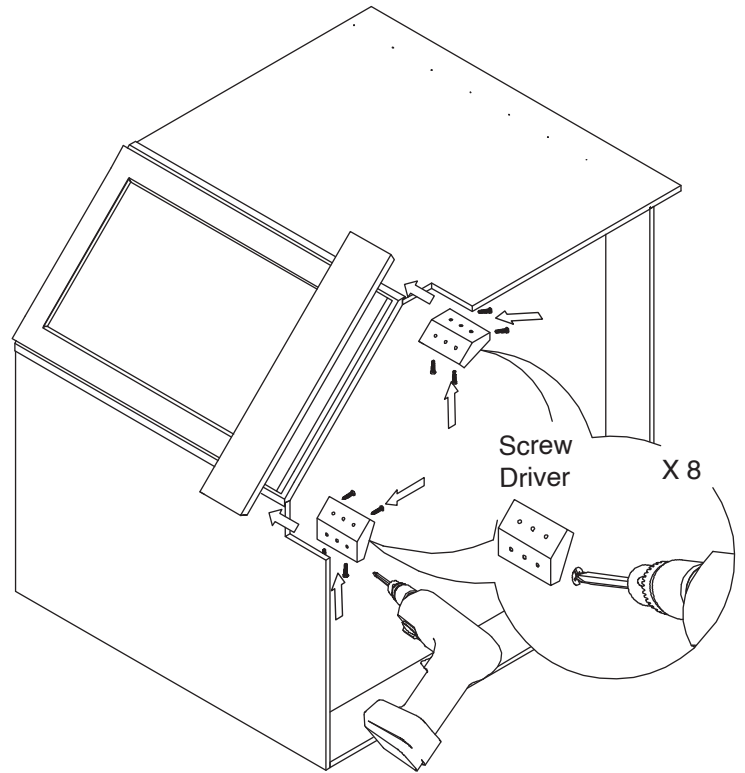


Step 17:



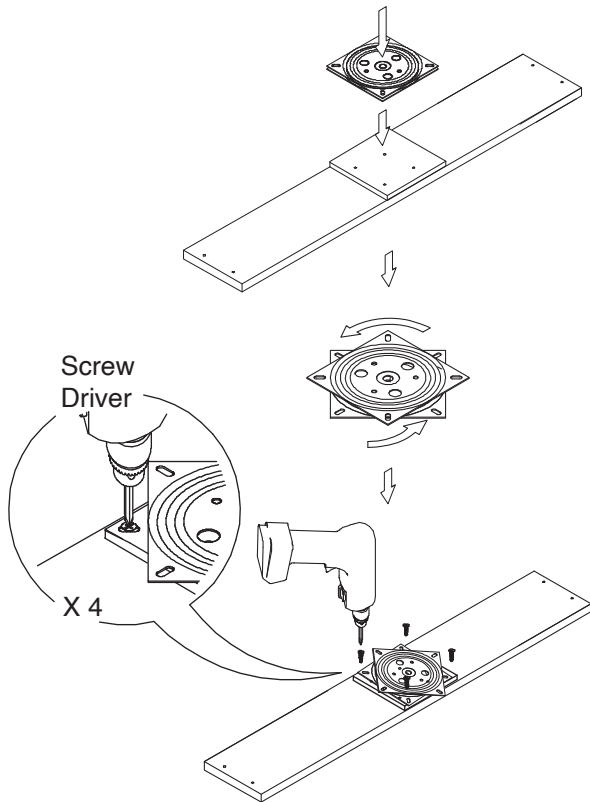
1-3/16" X 5

Step 18:



1" X 8

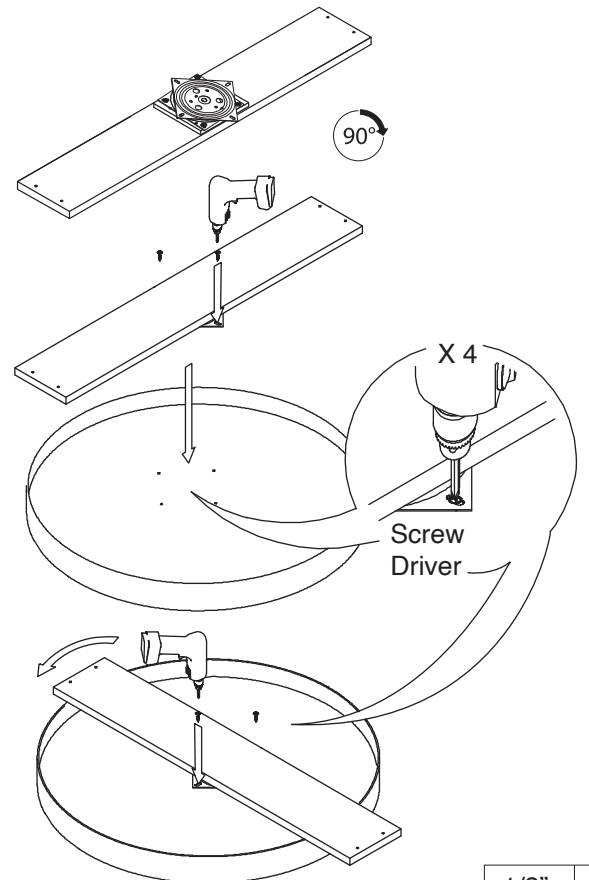
Step 19:



1/2" X 8

* repeat for other tray holder

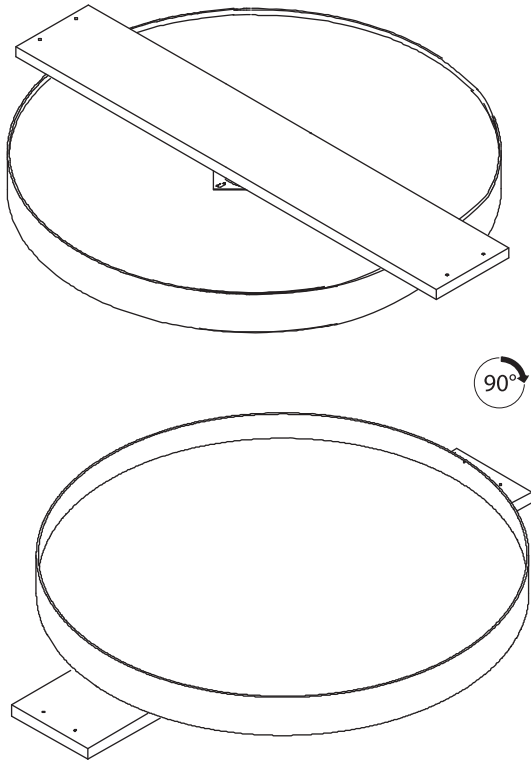
Step 20:



1/2" X 8

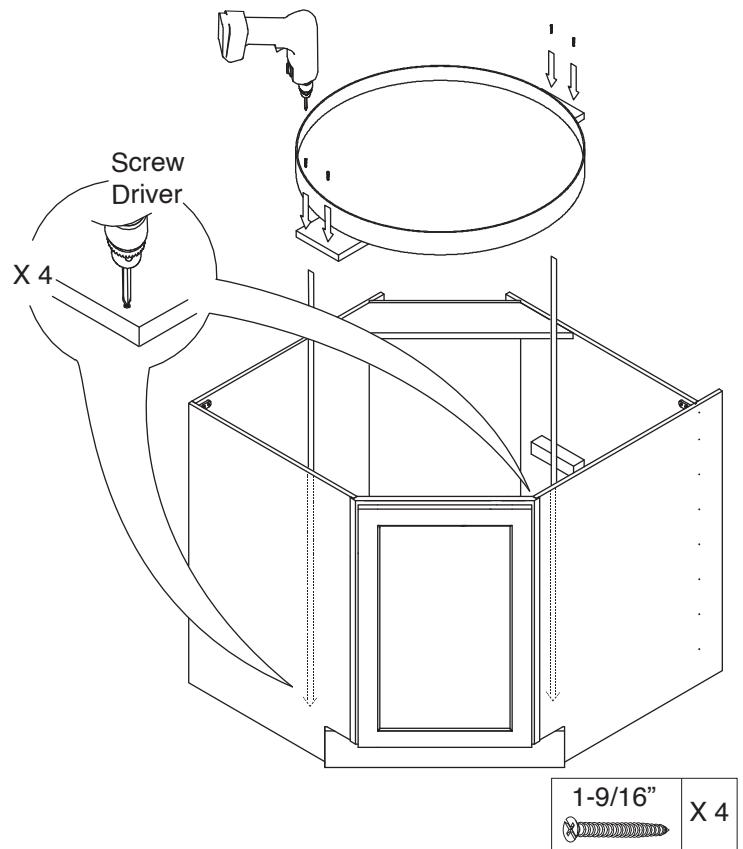
* repeat for other tray

Step 21:

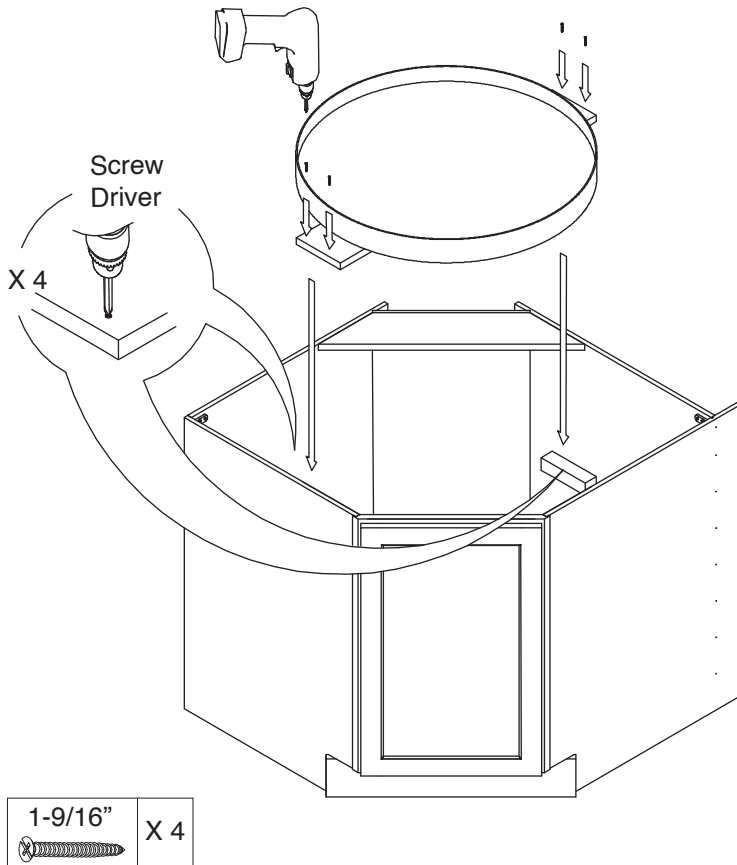


* repeat for other tray

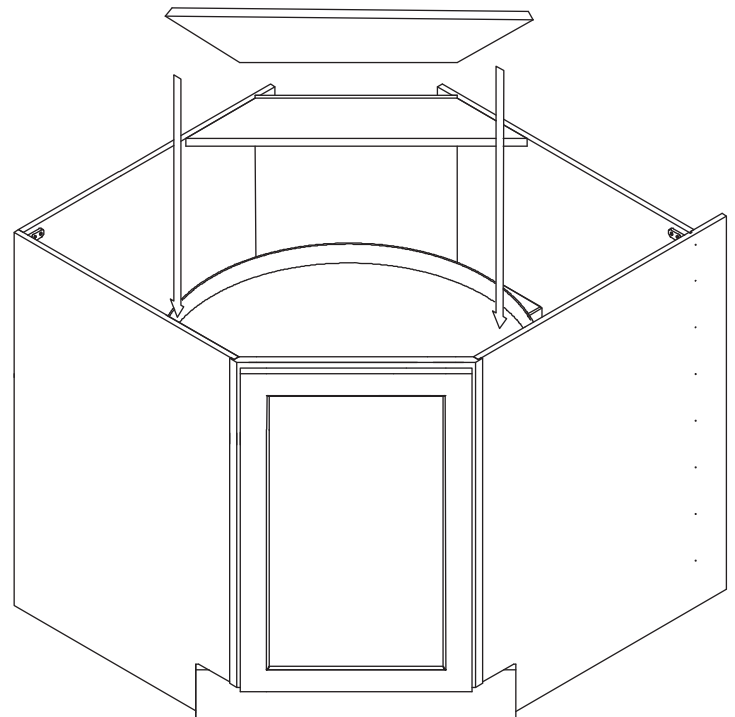
Step 22:



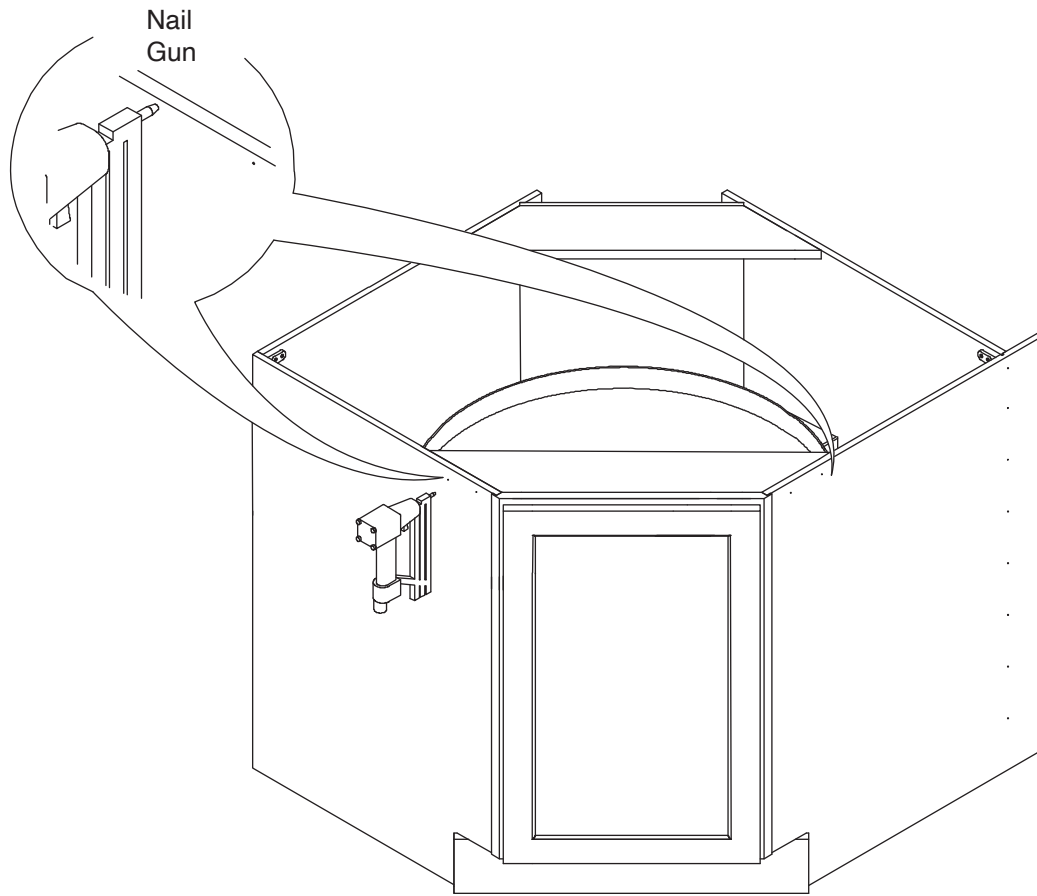
Step 23:



Step 24:



Step 25:



Step 26:

